



Parts Manual

Mfg. No: 5902170
SRS Z3X Series w/ 72" Mower Deck
(SRSZ3X, 72, V37, E OG, NA)



5600962 - Striping Kit, 72 iCD / iCD+ Deck.....
84010865 - Mulch Kit for ZTR w/ 72" iCD+.....

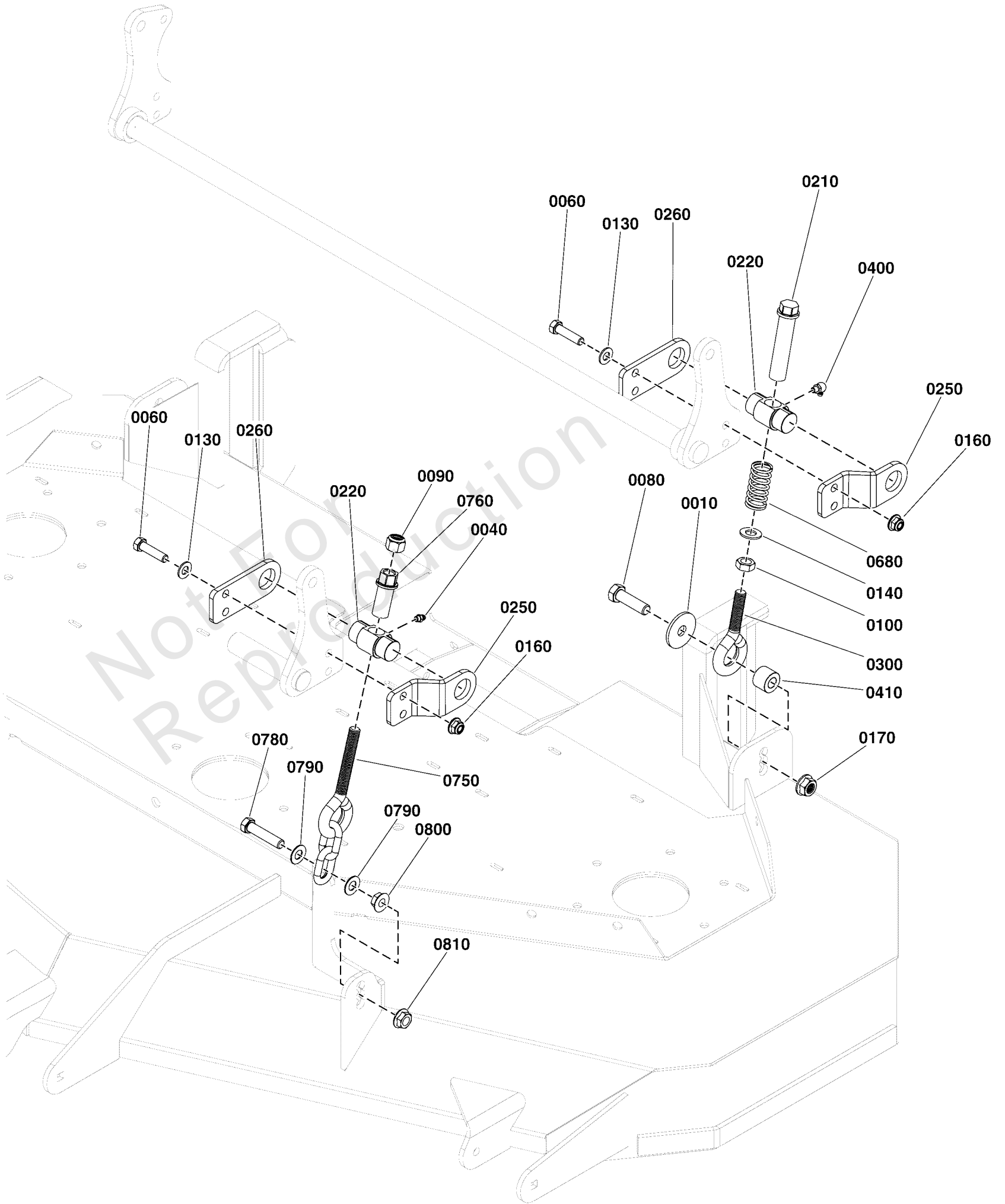
Not For
Reproduction

| Model Components | Page |
|--|-------------|
| 72" iCD+ Mower Deck Group - Deck Hangers..... | 4 |
| 72" iCD+ Mower Deck Group - Housing, Covers, Spindles, and Blades..... | 6 |
| 72" iCD+ Mower Deck Group - Pulleys, Belt & Idler Arm..... | 8 |
| 72" iCD+ Mower Deck Group - Rollers..... | 10 |
| Decal Group - Brand and Model - Models w/ 72" Mower Deck..... | 12 |
| Decal Group - Safety & Operation - Models w/ 72" Mower Deck..... | 14 |
| Deck Lift Group - Models w/ 72" Mower Deck..... | 16 |
| Electrical Group..... | 20 |
| Electrical Schematic - Charging Circuit B&S 61A777..... | 22 |
| Electrical Schematic - Cranking Circuit B&S 61A777..... | 24 |
| Electrical Schematic - Ignition Grounding Circuit B&S 61A777..... | 26 |
| Electrical Schematic - PTO Op. Pres. Circuit B&S 61A777..... | 28 |
| Engine & PTO Group - Briggs & Stratton 61E877 S/N: 4002038355 and Above..... | 30 |
| Engine Remote Oil Tank, Hoses & Mount Group..... | 32 |
| Evap Group..... | 34 |
| Fuel Hose & Supply Group - Models w/ Briggs & Stratton Engine..... | 36 |
| Fuel Tank & Mount Group..... | 38 |
| Hydraulic Group..... | 40 |
| Instrument Control Panel Group..... | 42 |
| Main Frame & Front Casters Group - Models w/ 72" Mower Deck..... | 44 |
| Main Frame and Front Casters Group - Muffler Heat Shields..... | 48 |
| Motion Control Group..... | 50 |
| Neutral Lockout Group S/N: 4000089209 and Above..... | 52 |
| Operator Compartment Group - S/N: 2017890935 & Above..... | 54 |
| Parking Brake Group..... | 56 |
| Spindle Service Parts - 5104744..... | 60 |
| Transaxle Drive Group..... | 62 |
| Transaxle Service Parts Group - 5105286 / 5105285..... | 64 |
| Wheel and Tire Group..... | 70 |
| Torque Specification Chart..... | 72 |

72" iCD+ Mower Deck Group - Deck Hangers

Note: Unless noted otherwise, use the standard torque specifications

Mfg. No: 5902170



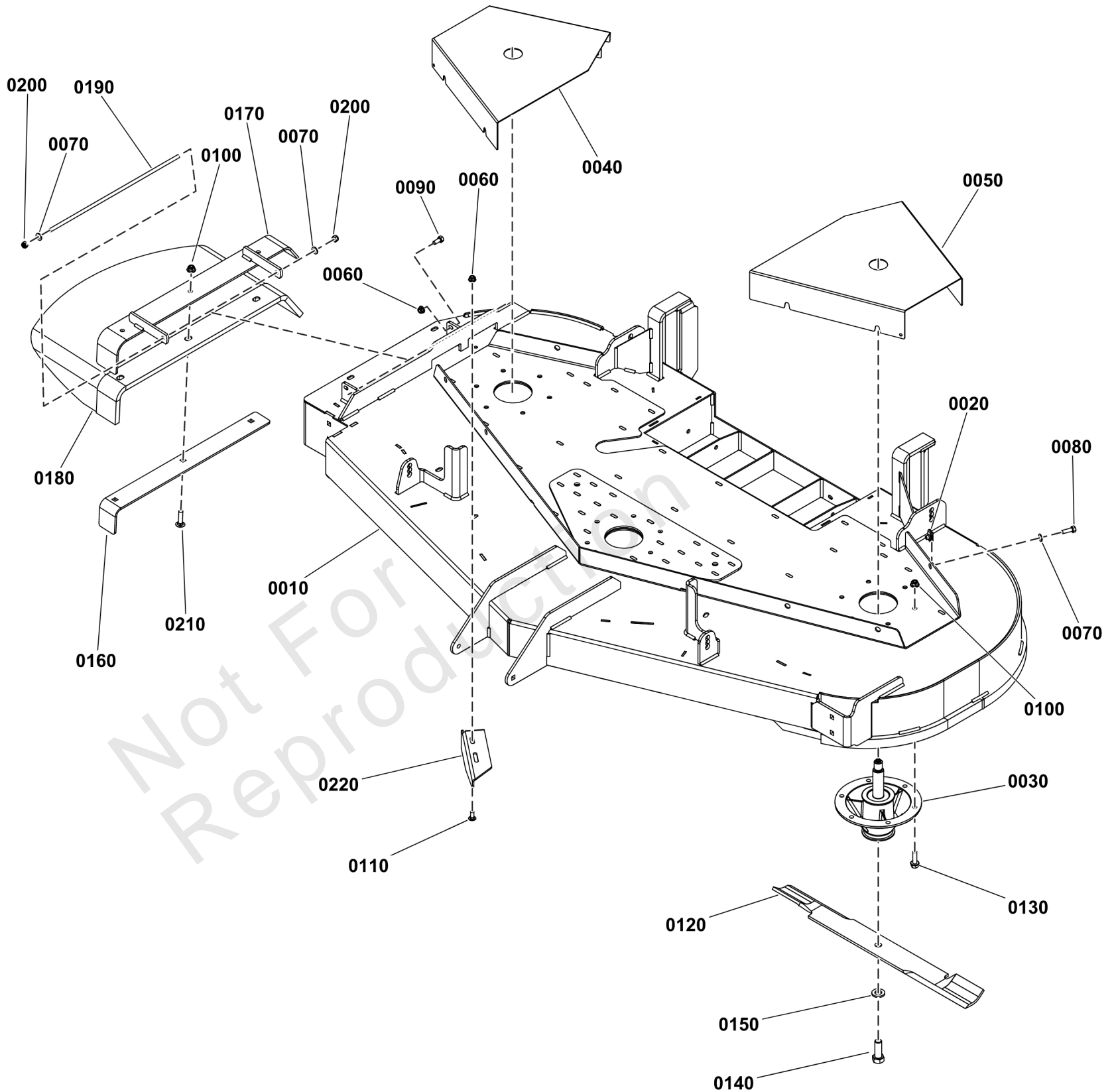
72" iCD+ Mower Deck Group - Deck Hangers

| REF NO | PART NO | QTY | DESCRIPTION |
|--------|------------|-----|--|
| 0010 | 5103282 | 2 | WASHER, .52 X 1.75 X .14, CZ |
| 0040 | 5020095 | 2 | GREASE FITTING, 1/4-28 Straight |
| 0060 | 5025013X12 | 8 | BOLT, 3/8-16 X 1-1/2" GD5 CZ |
| 0080 | 5025017X14 | 2 | BOLT, 1/2-13 X 1-3/4 GD5 CZ |
| 0090 | 5025056 | 2 | NUT, 1/2-13 HEX NYLON LOCK |
| 0100 | 5025089 | 2 | NUT, 1/2-20 Hex Jam |
| 0130 | 5025156 | 8 | WASHER, 3/8 SAE |
| 0140 | 5025158 | 2 | WASHER, 1/2 SAE |
| 0160 | 5025394 | 8 | NUT, 3/8 - 16 HEX NYLOCK FLANGE |
| 0170 | 5025396 | 4 | NUT, Hex Flange, Nylock, 1/2-13 |
| 0210 | 5109915FS | 2 | ADJUSTER, HEIGHT |
| 0220 | 5104238 | 4 | PIVOT, DECK LIFT TRUNION, GREASABLE |
| 0250 | 5413899A | 4 | BRACKET, OUTER TRUNION MNT - BLK |
| 0260 | 5413900A | 4 | BRACKET, INNER TRUNION MNT - BLK |
| 0300 | 5025579 | 2 | EYE BOLT, 1/2-20 X 4.25,1.88THRD,1EYE,CZ |
| 0400 | 5025447 | 2 | GREASE FITTING, 1/4-28 STRAIGHT, 90 DEGREE |
| 0410 | 5045178 | 2 | SPACER, .52 X 1.00 X .75, CZ |
| 0680 | 5105582 | 2 | SPRING, COMPRESSION, .76 X .97 X 2", BLK |
| 0750 | 5104309 | 2 | HANGER, FRONT DECK-2LINK, 5.5" EB |
| 0760 | 5105629 | 2 | ADJUSTER, SHORT, DECK LIFT, CZ |
| 0780 | 80018782 | 2 | CAPSCREW-HEX HD 7/16-14X2.000 G8 CL/ZC |
| 0790 | 80004028 | 4 | WSHR,7/16 ID X .065 THK, FLAT,ZINC/CLEAR |
| 0800 | 5025533 | 2 | NUT, HEX, 7/16-14, SER, FLG, GD5, YZ |
| 0810 | 1930650 | 2 | NUT-HEX FLANGE 7/16-14 TWO WAY LK GA BLK |

72" iCD+ Mower Deck Group - Housing, Covers, Spindles, and Blades

Note: Unless noted otherwise, use the standard torque specifications

Mfg. No: 5902170



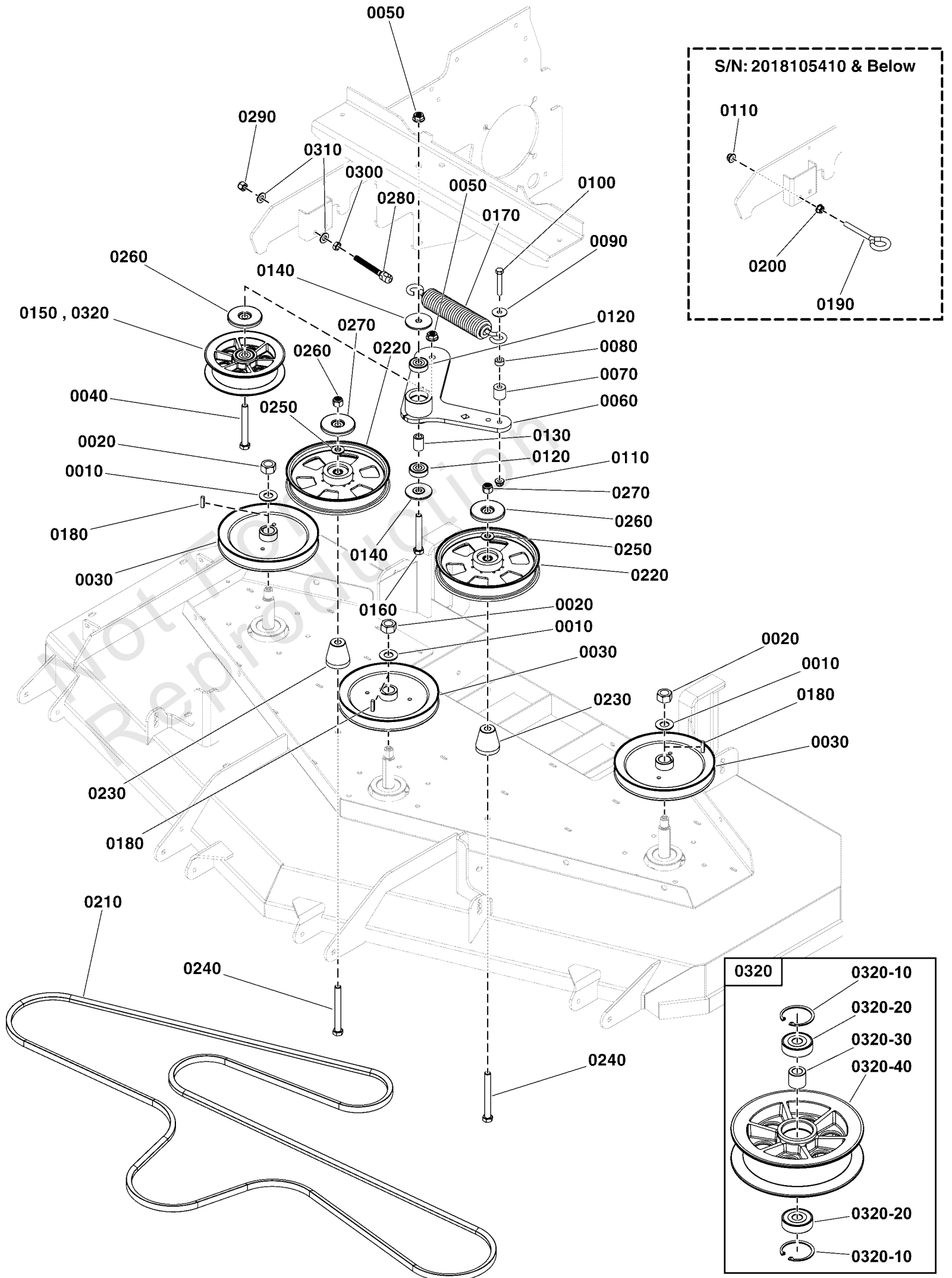
72" iCD+ Mower Deck Group - Housing, Covers, Spindles, and Blades

| REF NO | PART NO | QTY | DESCRIPTION |
|--------|--------------|-----|---|
| 0010 | 84010862 | 1 | DECK SHELL w/Decals -(Includes safety decals). |
| 0020 | 5022308SM | 6 | BODY CLIP, 5/16-18 X |
| 0030 | 5104744YP | 3 | ASSEMBLY-SPINDLE |
| 0040 | 5415449BFS | 1 | GUARD, RH |
| 0050 | 5415450BFS | 1 | GUARD, Pulley |
| 0060 | 5025392FS | 3 | NUT |
| 0070 | 703350 | 8 | WASHER |
| 0080 | 5025011X8FS | 6 | BOLT |
| 0090 | 5025011X6SM | 1 | BOLT, 5/16-18 X 3/4" |
| 0100 | 5025394SM | 21 | NUT, 3/8-16 HEX NYLOCK |
| 0110 | 5025145X6SM | 2 | BOLT, 5/16-18 X 3/4", |
| 0120 | 5102227S | 1 | BLADE, 25 X 25 X 2.50, HIGH LIFT (SET OF 3) -(Set of 3 blades) |
| 0130 | 5025390X10FS | 18 | BOLT -(Torque spindle mounting bolts to 17 ft. lbs. (23 Nm) |
| 0140 | 770136 | 3 | BOLT -(Torque blade mounting bolt to 70 ft. lbs. (94 Nm) |
| 0150 | 5025477SM | 3 | WASHER, 5/8" YZ |
| 0160 | 84003245 | 1 | PLATE, SUPPORT |
| 0170 | 84008171 | 1 | MOUNT |
| 0180 | 84011105 | 1 | CHUTE, Discharge |
| 0190 | 5061300FS | 1 | ROD |
| 0200 | 5025045SM | 2 | NUT, 5/16-24 HEX NYLO |
| 0210 | 5025146X12YP | 3 | BOLT, 3/8-16 X 1-1/2 |
| 0220 | 5407876AYP | 1 | DEFLECTOR |

72" iCD+ Mower Deck Group - Pulleys, Belt & Idler Arm

Note: Unless noted otherwise, use the standard torque specifications

Mfg. No: 5902170



72" iCD+ Mower Deck Group - Pulleys, Belt & Idler Arm

| REF NO | PART NO | QTY | DESCRIPTION |
|---------|------------|-----|---|
| 0010 | 5025406 | 3 | WASHER, 3/4 BELLEVILLE CL/ZC |
| 0020 | 5025405 | 3 | NUT, 3/4-16 Hex |
| 0030 | 5105056 | 3 | PULLEY, 5V SEC, 8.37" OB X .985" ID |
| 0040 | 5025017X32 | 1 | BOLT, 1/2-13 X 4" GD5 CZ |
| 0050 | 5025396 | 2 | NUT, Hex Flange, Nylock, 1/2-13 |
| 0060 | 5416473A | 1 | WELD, IDLER ARM, MOWER DECK,SRS Z3 - BLK |
| 0070 | 5100896 | 1 | SPACER, .390 X 1.00 X 1.00 -YZ |
| 0080 | 5044933 | 1 | SPACER, .39 X .75 X .38, PM, CZ |
| 0090 | 5025165 | 1 | WASHER, 3/8" Fender |
| 0100 | 5025013X18 | 1 | BOLT, 3/8-16 X 2-1/4" GD5 CZ |
| 0110 | 5025394 | 1 | NUT, 3/8 - 16 HEX NYLOCK FLANGE -(Qty: 2 - S/N: 2018105410 & Below) |
| 0120 | 5104383 | 2 | BEARING, 6203-1/2", SEALED |
| 0130 | 5104456 | 1 | SPACER, .51 X .84 X 1.22, PM, CZ |
| 0140 | 5104379 | 2 | SPACER, IDLER ARM, 1/2 X 2.25 |
| 0150 | ----- | 1 | NLA - IDLER PULLEY -(S/N: 4001876772 & Below)(Refer to Note: *) |
| 0160 | 5025017X28 | 1 | BOLT, 1/2-13 X 3-1/2, HEX HD, GD5, CZ (SV) |
| 0170 | 5105092 | 1 | SPRING, 1.52" OD X 10.70" FL X .234" WIRE, BLK |
| 0180 | 5050407X20 | 3 | KEY, 1/4 SQ X 2-1/2 |
| 0190 | 5023497 | 1 | EYE BOLT, 3/8-16 X 5, 2.88THRD, 1EYE, CZ -(S/N: 2018105410 & Below) |
| 0200 | 5025128 | 1 | NUT, 3/8-16 Hex Large Serrated Flange -(S/N: 2018105410 & Below) |
| 0210 | 5103670 | 1 | BELT SPB4359 772T 172.75EL |
| 0220 | 5105454 | 2 | IDLER, 8" BACK SIDE, 1/2" ID, BLK ECOAT |
| 0230 | 5105523 | 2 | SPACER, .515 X 1.25 X 2.06, CZ -(S/N: 4001759914 and below) |
| 0230 | 5109520 | 2 | SPACER, .52 X 2.00 X 1.88, CZ -(S/N: 4001759915 and above) |
| 0240 | 5025017X36 | 2 | BOLT, 1/2-13 X 4-1/2" GD5 YZ |
| 0250 | 5025158 | 2 | WASHER, 1/2 SAE |
| 0260 | 5105041 | 3 | SHIELD, PULLEY, 1/2"ID X 2-7/8"OD, CZ |
| 0270 | 5025056 | 2 | NUT, 1/2-13 HEX NYLON LOCK |
| 0280 | 5105844 | 1 | SPRING PULLER, 1/2-20, 5.00 -(S/N: 2018105411 & Above) |
| 0290 | 5025098 | 1 | NUT, Hex, Nylon Lock, 1/2-20 -(S/N: 2018105411 & Above) |
| 0300 | 5025089 | 1 | NUT, 1/2-20 Hex Jam -(S/N: 2018105411 & Above) |
| 0310 | 5025158 | 4 | WASHER, 1/2 SAE -(S/N: 2018105411 & Above) |
| 0320 | 5109029 | 1 | PULLEY, IDLER, 5.50, CI -(S/N: 4001876773 & Above)(Includes items # 0320-10 to 0320-40). |
| 0320-10 | 5020865 | 2 | SNAP RING, Internal -(S/N: 4001876773 & Above) |
| 0320-20 | 5109021 | 2 | BEARING, 6203-3RC3-1/2SR12-Q -(S/N: 4001876773 & Above) |
| 0320-30 | 5105011 | 1 | SPACER, .505 X .875 X .805, CZ -(S/N: 4001876773 & Above) |
| 0320-40 | ----- | 1 | PULLEY HOUSING -(S/N: 4001876773 & Above)(Refer to Note: *) |

Footnotes:

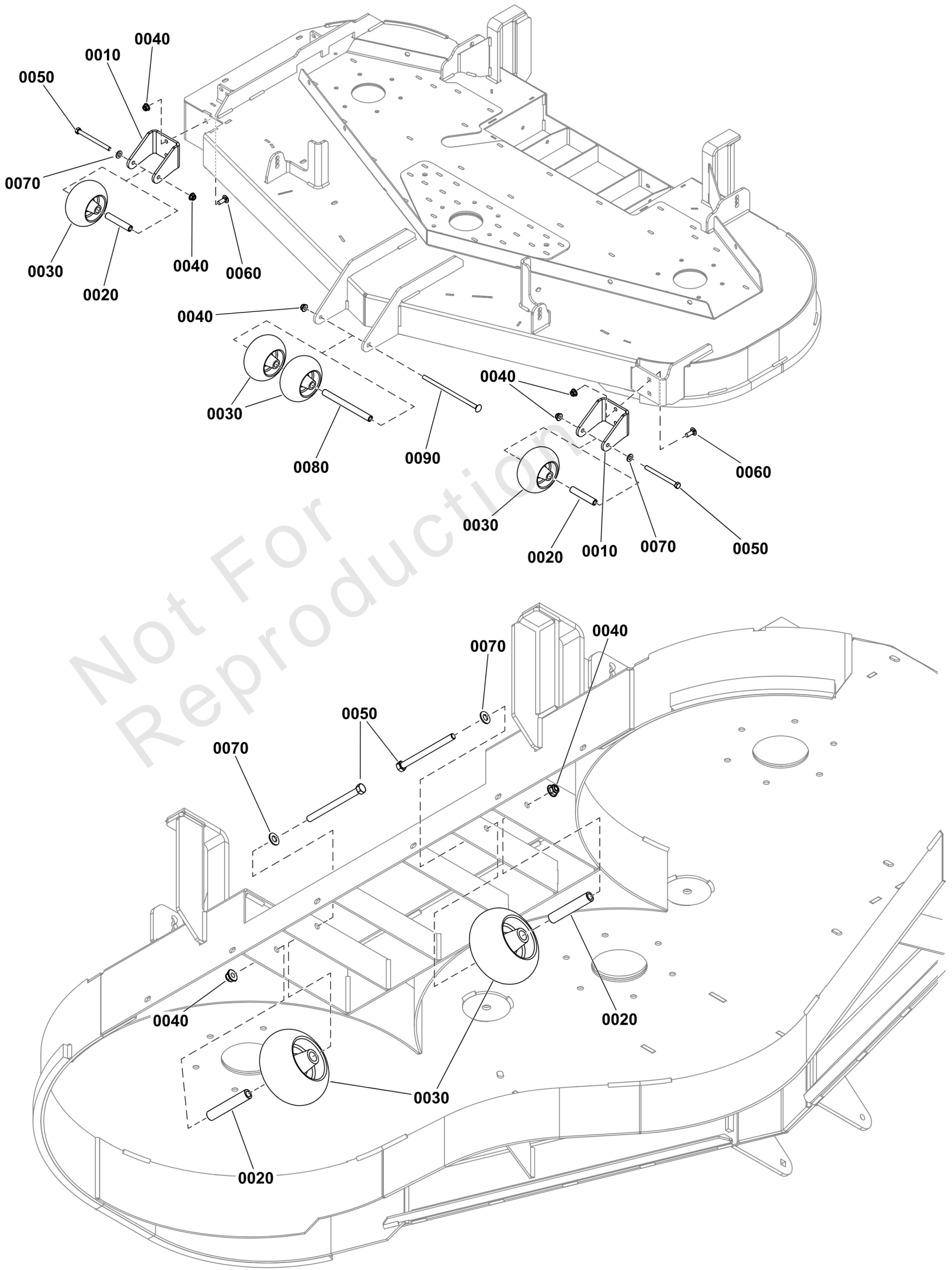
Note: *Replace with item #0320.

Note: *When replacing this pulley, order the higher serial number pulley.

72" iCD+ Mower Deck Group - Rollers

Note: Unless noted otherwise, use the standard torque specifications

Mfg. No: 5902170



72" iCD+ Mower Deck Group - Rollers

| REF NO | PART NO | QTY | DESCRIPTION |
|--------|--------------|-----|---------------------------|
| 0010 | 84010863 | 2 | MOUNT, Roller |
| 0020 | 5105554YP | 4 | SPACER |
| 0030 | 5105521FS | 6 | WHEEL |
| 0040 | 5025394SM | 9 | NUT, 3/8-16 HEX NYLOCK |
| 0050 | 5025146X36YP | 4 | BOLT |
| 0060 | 703814 | 4 | BOLT, RD HD, 3/8-16X1 |
| 0070 | 5025156FS | 4 | WASHER |
| 0080 | 84007855 | 1 | SPACER |
| 0090 | 84007856 | 1 | BOLT, Carriage 3/8-16 X 8 |

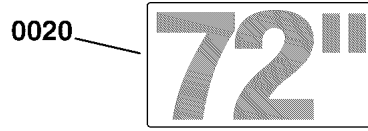
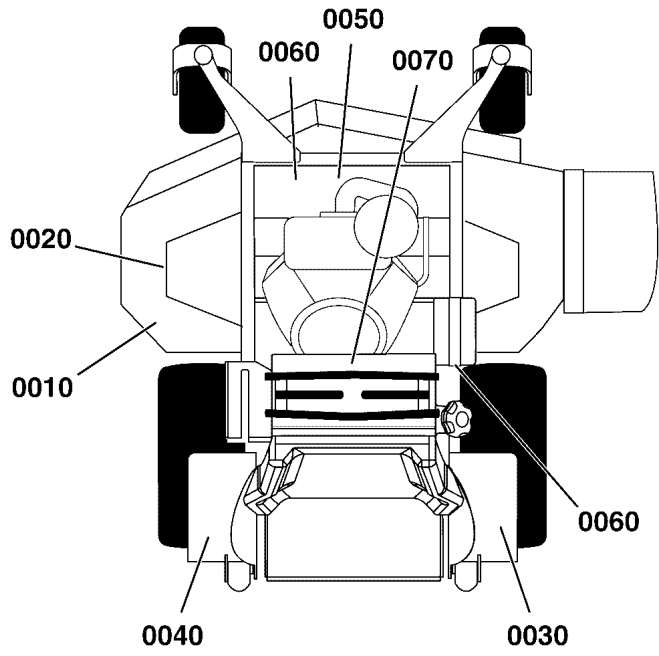
Not For Reproduction

Decal Group - Brand and Model - Models w/ 72" Mower Deck

Note: Unless noted otherwise, use the standard torque specifications

Mfg. No: 5902170

5305033



Decal Group - Brand and Model - Models w/ 72" Mower Deck

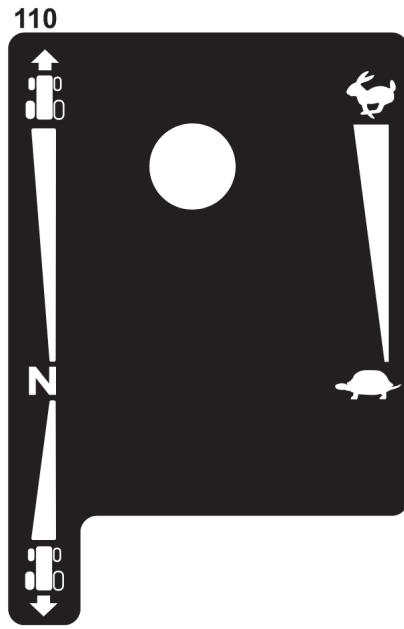
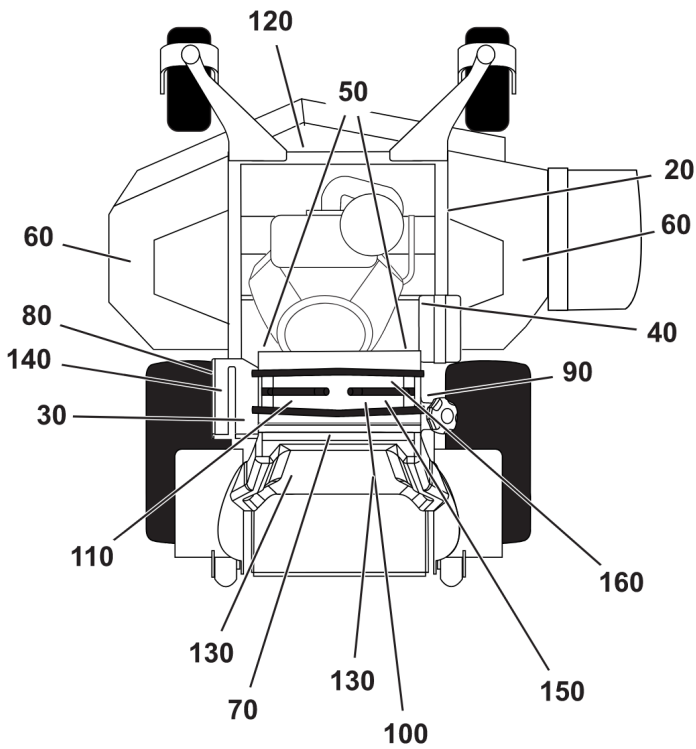
| REF NO | PART NO | QTY | DESCRIPTION |
|---------------|----------------|------------|-------------------------------|
| 0010 | 5102210 | 1 | DECAL, iCD CUTTING SYSTEM |
| 0020 | 5022814 | 1 | DECAL, 72" |
| 0030 | 84008402 | 1 | DECAL, Model, Right Hand |
| 0040 | 84008403 | 1 | DECAL, Model, Left Hand |
| 0050 | 5104724 | 1 | DECAL, FERRIS LOGO, MEDIUM |
| 0060 | 5105446 | 2 | DECAL, MODEL, SRSZ3 |
| 0070 | 5103799 | 1 | DECAL, FERRIS, 2.23" X 11.39" |

Not For Reproduction

Decal Group - Safety & Operation - Models w/ 72" Mower Deck

Note: Unless noted otherwise, use the standard torque specifications

Mfg. No: 5902170



50

WARNING

Amputation and Pinch Point Hazard
To avoid injury from rotating parts, stay clear of parts and keep all shields and guards in place.

80

The operator's manual is available in Spanish.
La manual del operador está disponible en Español.

Ignition System (Gasoline Models)
This spark ignition system complies with Canadian standard ICES-002.

20

WARNING

PINCH POINT
To avoid injury from loaded spring, read operator's manual before removing spring.

40

HYDRAULIC OIL

USE SAE 20W-50 MOTOR OIL

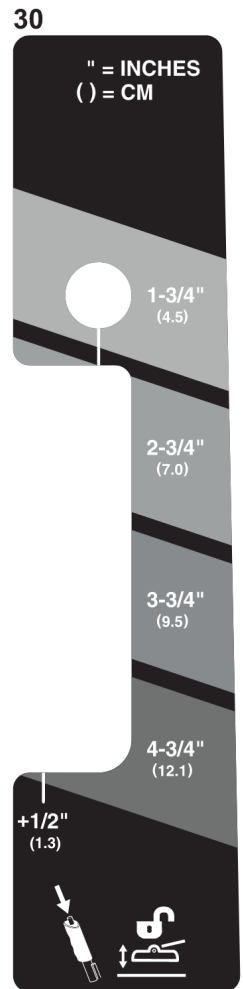
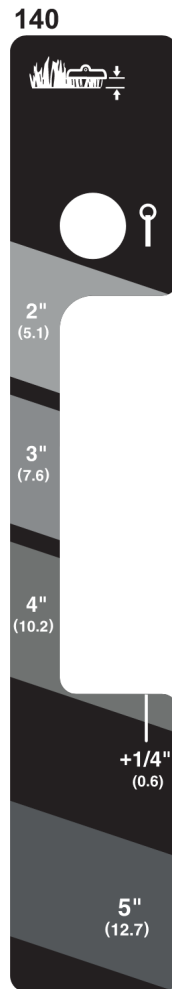
130

100

WARNING

Avoid serious injury or death

- Read operator's manual before using this product.
- Know the location and function of all controls.
- Wear eye and ear protection.
- Remove objects that could be thrown by the blade.
- When leaving machine, shut off, remove key and set parking brake.
- Do NOT operate this machine unless you are trained.
- Keep safety devices (guards, shields, switches, etc.) in place and working.
- Be sure blades and engine are stopped before placing hands or feet near blades.



60

DANGER

Amputation and thrown objects hazard

- Keep hands and feet away from deck.
- Do not operate mower unless discharge chute or entire grass catcher is in its proper place.

90

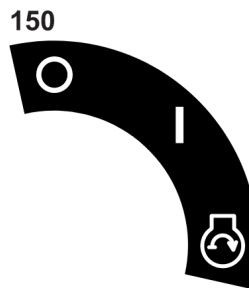
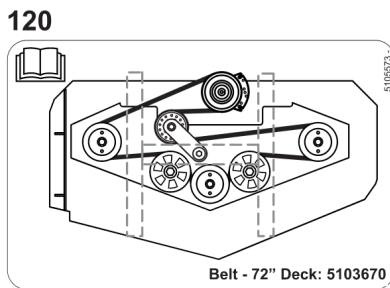
WARNING

Overfill of the fuel tank may cause a fire hazard

- Do not fill above the bottom of the filler neck as shown.

Fire Hazard
Gasoline is flammable. Yard Debris is combustible.

- Allow engine to cool for at least 3 minutes before refueling.
- Keep unit cleaned of debris
- This equipment may create sparks that can start fires around dry vegetation. A spark arrester may be required. Contact local fire agencies for regulations relating to fire prevention requirements.



70

DANGER

Amputation hazard
Rotating blades cut off arms and legs.

- Stop the mower when children or others are near. Keep bystanders away.
- Look down, behind and to the side before changing directions and while backing.
- Do not carry riders (especially children) even with the blades off.

Loss of control
Always operate the mower using both hands on the control levers. Operating on slopes can be hazardous and cause loss of control.

- Do not operate on slopes over 17 degrees.
- Avoid sudden turns or rapid speed changes.
- If machine stops forward motion on a slope, stop the blades and drive slowly off the slope.
- Go across slopes, NOT up and down.
- Reduce speed and use extreme caution on slopes.
- Do NOT operate on slopes when grass is wet or when soil is soft.

Decal Group - Safety & Operation - Models w/ 72" Mower Deck

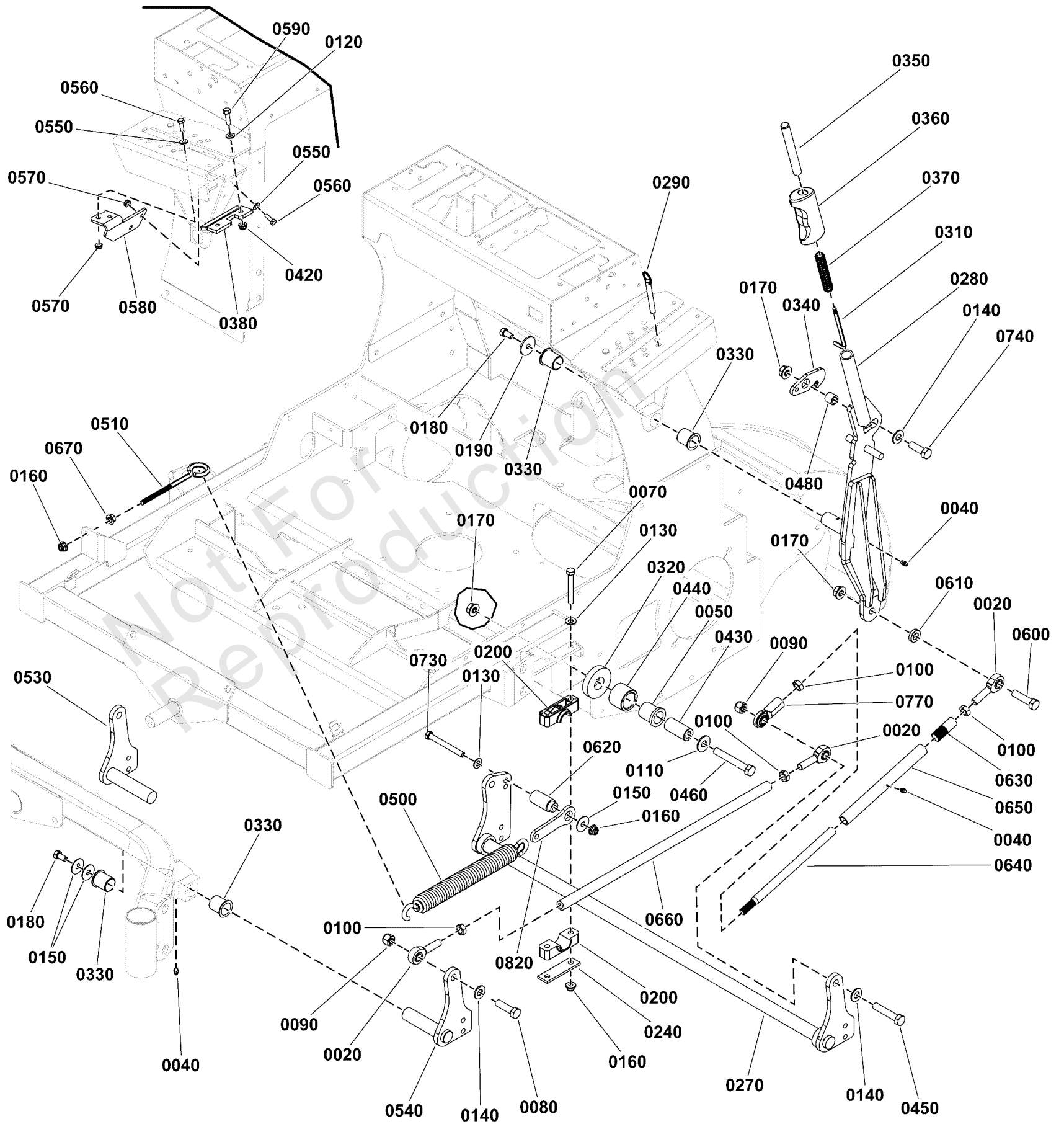
| REF NO | PART NO | QTY | DESCRIPTION |
|--------|-----------|-----|--|
| 20 | 84008198 | 1 | DECAL, Warning/Safety, Pinch Point |
| 30 | 84008592 | 1 | DECAL, Cutting Height |
| 40 | 84007908 | 1 | DECAL, Oil -(Located on battery box mount.) |
| 50 | 84008200 | 2 | DECAL, Warning/Safety, Hand in Belt -(Located on engine deck by transmission fans.) |
| 60 | 84007896 | 2 | DECAL, Danger, Cut Hand/Foot |
| 70 | 84008378 | 1 | DECAL, Danger |
| 80 | 5104269FS | 1 | DECAL -(Located on tower underneath deck lift box.) |
| 90 | 84008443 | 1 | DECAL, Warning/Safety |
| 100 | 84008379 | 1 | DECAL, Warning/Safety |
| 110 | 84008405 | 1 | DECAL, Controls |
| 120 | 5105573FS | 1 | DECAL, Instruction |
| 130 | 5105598FS | 2 | DECAL, INSTRUCTION -(Located by transmission release levers.) |
| 140 | 84008591 | 1 | DECAL, Cutting Height |
| 150 | 5048970SM | 1 | DECAL, Ignition Switch |
| 160 | 84008406 | 1 | DECAL, Controls |

Deck Lift Group - Models w/ 72" Mower Deck

Note: Unless noted otherwise, use the standard torque specifications

Mfg. No: 5902170

Left Hand Components shown.
Unless otherwise noted Right Hand
Components are identical.



Deck Lift Group - Models w/ 72" Mower Deck

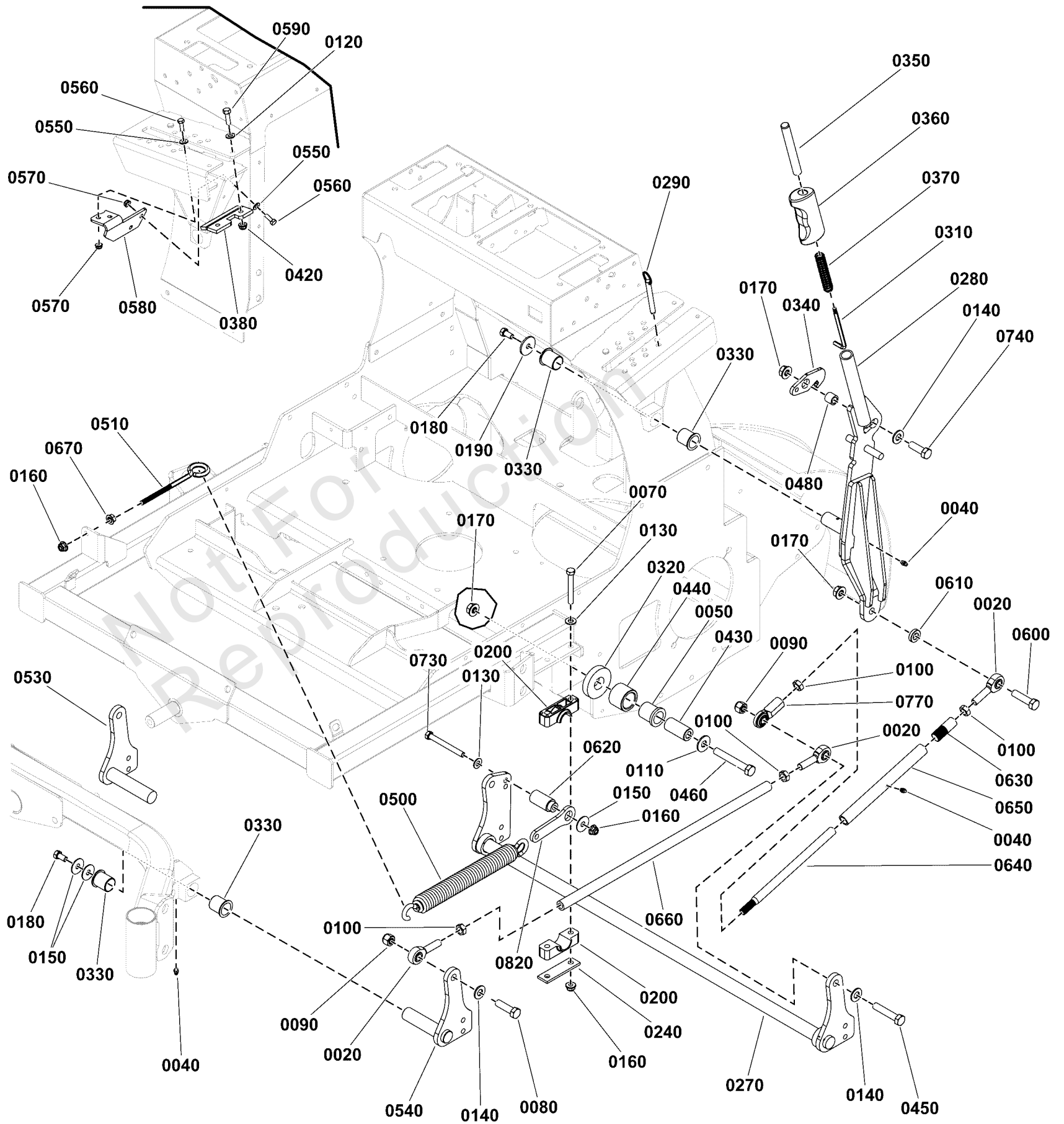
| REF NO | PART NO | QTY | DESCRIPTION |
|--------|------------|-----|--|
| 0020 | 5104267 | 5 | BALL JOINT, 1/2-20, RH, MALE, METAL RACE |
| 0040 | 5020095 | 4 | GREASE FITTING, 1/4-28 Straight |
| 0050 | 5021541 | 2 | BUSHING, FLANGE |
| 0070 | 5025013X22 | 4 | BOLT, 3/8-16 X 2-3/4" GD5 CZ |
| 0080 | 5025017X14 | 3 | BOLT, 1/2-13 X 1-3/4 GD5 CZ -(Both front and right rear deck lift rod connection points). |
| 0090 | 5025056 | 4 | NUT, 1/2-13 HEX NYLON LOCK |
| 0100 | 5025089 | 6 | NUT, 1/2-20 Hex Jam |
| 0110 | 5025150 | 2 | WASHER, 1/2" USSZ |
| 0120 | 5025155 | 2 | WASHER, 5/16" SAE |
| 0130 | 5025156 | 5 | WASHER, 3/8 SAE |
| 0140 | 5025158 | 5 | WASHER, 1/2 SAE |
| 0150 | 5025165 | 5 | WASHER, 3/8" Fender |
| 0160 | 5025394 | 6 | NUT, 3/8 - 16 HEX NYLOCK FLANGE |
| 0170 | 5025396 | 4 | NUT, Hex Flange, Nylock, 1/2-13 |
| 0180 | 5025443 | 3 | BOLT, 3/8-16 X 3/4, PLT W/PATCH |
| 0190 | 5100548 | 1 | WASHER, .390 X 1.50 X .109, YZ |
| 0200 | 5100634 | 4 | PIVOT BLOCK, PLASTIC |
| 0240 | 5403925AA | 2 | PLATE, PIVOT BLOCK SUPPORT - BLK |
| 0270 | 5415156A | 1 | WELD, SHAFT, DECK LIFT, SRSZ3 - BLK |
| 0280 | 5421638AA | 1 | WELD, DECK LIFT LEVER, SRSZ3 - BLK |
| 0290 | 5104610 | 1 | PIN, HITCH, 3/8" DIA X 2.5" EL, CZ |
| 0310 | 5105322 | 1 | ROD, DECK LIFT LATCH |
| 0320 | 5061010 | 2 | WASHER, FRICTION |
| 0330 | 5023343 | 6 | BUSHING, 1.00 X 1.13 X 1.38, Plastic |
| 0340 | 5414040AA | 1 | PLATE, LATCH, PUSH BUTTON LIFT - BLK |
| 0350 | 5105323 | 1 | BUTTON, PUSH, DECK LIFT, THREADED |
| 0360 | 1722291 | 1 | GRIP,LIFT LEVER |
| 0370 | 1723321 | 1 | SPRING-COMP 0.715ODX 03.85 LG |
| 0380 | 5414171A | 1 | PLATE, LATCH GUIDE - BLK |
| 0420 | 5025392 | 2 | NUT, 5/16-18 HEX NYLOCK FLANGE NUT |
| 0430 | 5100732 | 2 | SPACER, .52 X 1.00 X 2.09 - SS |
| 0440 | 5100731 | 2 | ROLLER, DECK HEIGHT |
| 0450 | 5025017X20 | 1 | BOLT, 1/2-13 X 2-1/2" GD5 CZ |
| 0460 | 5025017X28 | 2 | BOLT, 1/2-13 X 3-1/2, HEX HD, GD5, CZ (SV) |
| 0480 | 5048049 | 1 | SPACER, .50 X .75 X .66, CZ |
| 0500 | 5105092 | 1 | SPRING, 1.52" OD X 10.70" FL X .234" WIRE, BLK |
| 0510 | 5023497 | 1 | EYE BOLT, 3/8-16 X 5, 2.88THRD, 1EYE, CZ |
| 0530 | 84008736 | 1 | PIVOT, RH |
| 0540 | 84008735 | 1 | PIVOT, LH |
| 0550 | 5025154 | 4 | WASHER, 1/4 SAE |
| 0560 | 5025010X6 | 4 | BOLT, 1/4"-20 X 3/4" GD5 YZ |
| 0570 | 5025391 | 4 | NUT, 1/4-20 Hex Nylock Flange |
| 0580 | 84008584 | 1 | PLATE, Support |
| 0590 | 5025011X8 | 2 | BOLT, 5/16-18 X 1" GRD5 YZ |
| 0600 | 5025017X16 | 1 | BOLT, 1/2-13 X 2" GD5 CZ |
| 0610 | 5101376 | 1 | SPACER, .52 X 1.00 X .25, CZ |
| 0620 | 5105586 | 1 | SPACER, STEP, .390 X 1.00 X 2.13, CZ |
| 0630 | 5105653 | 1 | ROD, .88 X 1.50, THREADED, CZ |
| 0640 | 5105654 | 1 | ROD, .63 X 10.00, THREADED W/FLATS, CZ |
| 0650 | 5105655 | 1 | TUBE, .641 X .88OD X 8.75, THREADED, CZ |

Deck Lift Group - Models w/ 72" Mower Deck

Note: Unless noted otherwise, use the standard torque specifications

Mfg. No: 5902170

Left Hand Components shown.
Unless otherwise noted Right Hand
Components are identical.



Deck Lift Group - Models w/ 72" Mower Deck

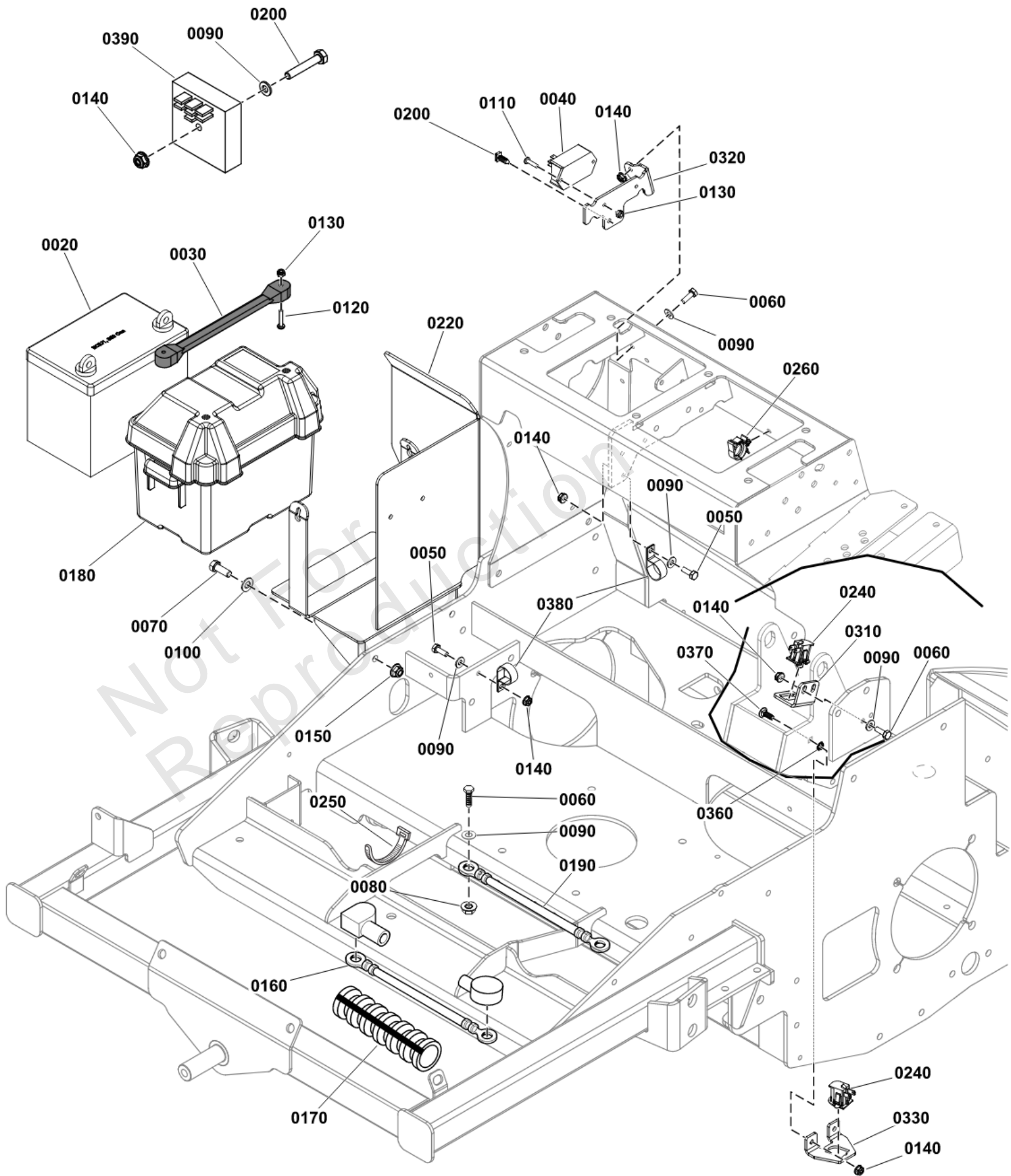
| REF NO | PART NO | QTY | DESCRIPTION |
|--------|------------|-----|---|
| 0660 | 5105134 | 2 | ROD, .75 X 25.00 TAPPED, 1/2-20, CZ |
| 0670 | 5025084 | 1 | NUT, 3/8-16 HEX JAM |
| 0730 | 5025013X28 | 1 | BOLT, 3/8-16 X 3-1/2" GD5 CZ |
| 0740 | 5025017X12 | 1 | BOLT, 1/2-13 X 1-1/2 GD5 CZ |
| 0770 | 1702779 | 1 | JOINT-BALL .500-20 THD .500ID, CLR ZINC |
| 0820 | 5416881A | 1 | LINK, DECK SPRING |

Not For Reproduction

Electrical Group

Note: Unless noted otherwise, use the standard torque specifications

Mfg. No: 5902170



0210 - WIRE HARNESS, STANDON, WIRING

0280 - WIRE HARNESS, JUMPER, BRIGGS EFI, 16 PIN

0340 - WIRE HARNESS JUMPER, BRAKE SWITCH

Electrical Group

| REF NO | PART NO | QTY | DESCRIPTION |
|--------|--------------|-----|--|
| 0020 | ----- | 1 | BATTERY, 11U1L, 350 CCA -(Refer to Note: *) |
| 0030 | 5021670SM | 1 | STRAP, RUBBER |
| 0040 | 5104879FS | 1 | MODULE |
| 0050 | 703338 | 2 | BOLT, 1/4-20X5/8 |
| 0060 | 5025010X8SM | 3 | BOLT, 1/4-20 X 1", GD |
| 0070 | 5025013X8SM | 2 | BOLT, 3/8-16 X 1" GD5 |
| 0080 | 5025126FS | 2 | NUT |
| 0090 | 84007033 | 8 | WASHER |
| 0100 | 5025156FS | 2 | WASHER |
| 0110 | 5025179X6SM | 2 | SCREW - #10-24 |
| 0120 | 5025270SM | 2 | SCREW, #10-24 X 1" RS |
| 0130 | 5025271FS | 4 | NUT |
| 0140 | 5025391FS | 6 | NUT |
| 0150 | 5025394SM | 2 | NUT, 3/8-16 HEX NYLOCK |
| 0160 | 5021542SM | 1 | BATTERY CABLE, POSITI |
| 0170 | 5050927X19FS | 1 | WIRE, Loom |
| 0180 | 5100688YP | 1 | BATTERY BOX, W/ DRAIN |
| 0190 | 5101396YP | 1 | CABLE-BATTERY, BLACK |
| 0200 | 5025010X12SM | 1 | BOLT, 1/4-20 |
| 0210 | 5105537FS | 1 | HARNESS, WIRING |
| 0220 | 5416573BFS | 1 | WELDMENT |
| 0240 | 1732004SM | 2 | SWITCH-PUSH BUTTON |
| 0250 | 5021029SM | 3 | TIE, Cable 11" Long |
| 0260 | 5104705YP | 5 | CLIP |
| 0280 | 84006567 | 1 | HARNESS, Jumper |
| 0310 | 5416656AA | 1 | PLATE, BRAKE SWITCH, Z3 - BLK |
| 0320 | 5415790AA | 1 | PLATE, WIRE GUIDE / TDM MOUNT, EFI - BLACK |
| 0330 | 5105692FS | 1 | PLATE, SWITCH |
| 0340 | 5416834FS | 1 | HARNESS, JUMPER |
| 0360 | 703826 | 2 | BOLT, PUSHNUT 1/4 |
| 0370 | 703575 | 4 | BOLT, 1/4-20X.750, SQ |
| 0380 | 5021500FS | 2 | CLAMP |
| 0390 | 84006408 | 1 | MODULE, Throttle Control |

Footnotes:

Note: *Not for sale. Obtain locally.

Electrical Schematic - Charging Circuit B&S 61A777

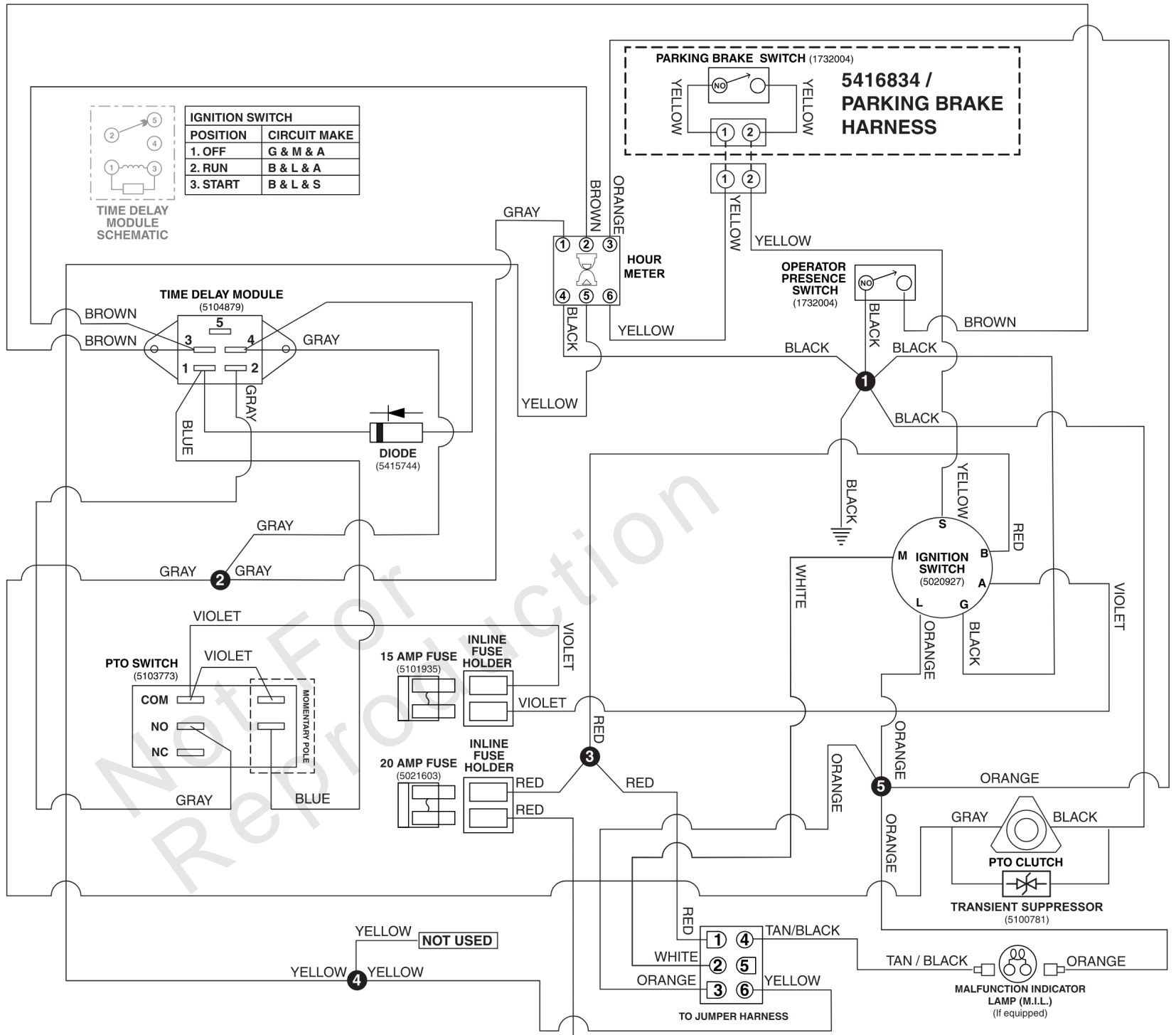
Note: Unless noted otherwise, use the standard torque specifications

Mfg. No: 5902170

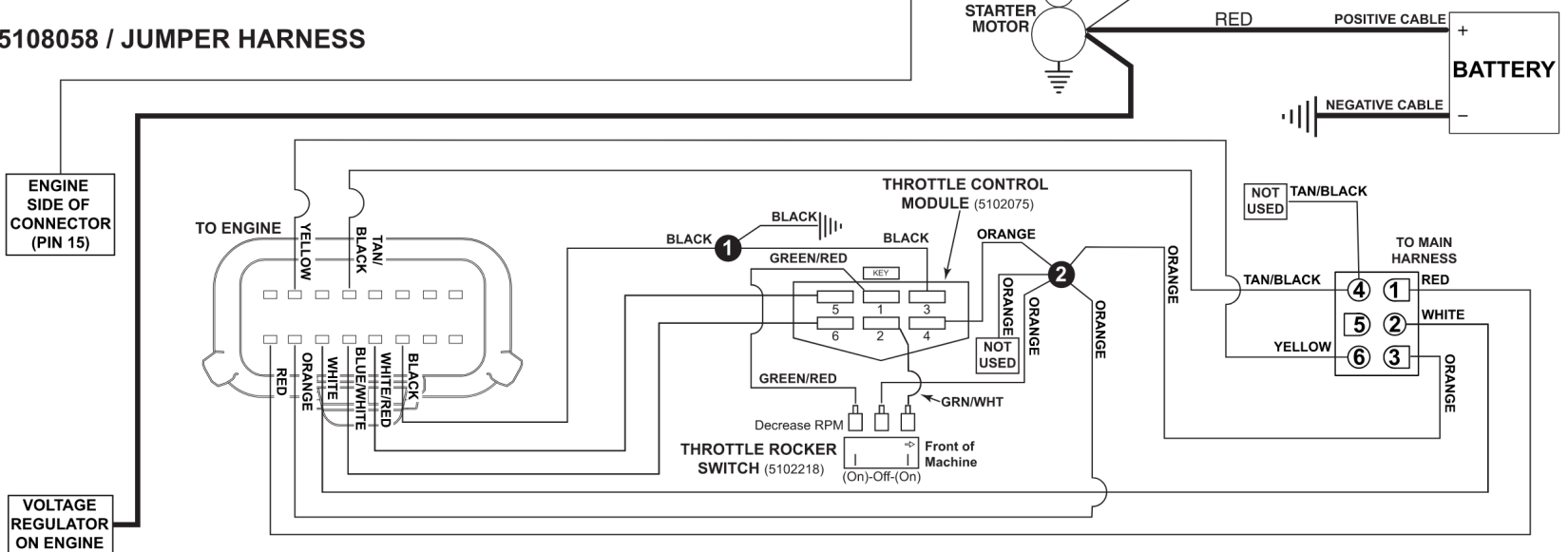
5105537 / SRS MAIN WIRE HARNESS - BRIGGS & STRATTON 61A777 ENGINES

5105537I

(If internal schematic of the switch is not shown, the image of the switch represents the back view of the connector as it is connected to the switch.)



5108058 / JUMPER HARNESS



Electrical Schematic - Charging Circuit B&S 61A777

| REF NO | PART NO | QTY | DESCRIPTION |
|---------|-----------|-----|-----------------|
| 5105537 | 5105537FS | 1 | HARNESS, WIRING |
| 5108058 | 84006567 | 1 | HARNESS, Jumper |
| 5416834 | 5416834FS | 1 | HARNESS, JUMPER |

Not For Reproduction

Electrical Schematic - Cranking Circuit B&S 61A777

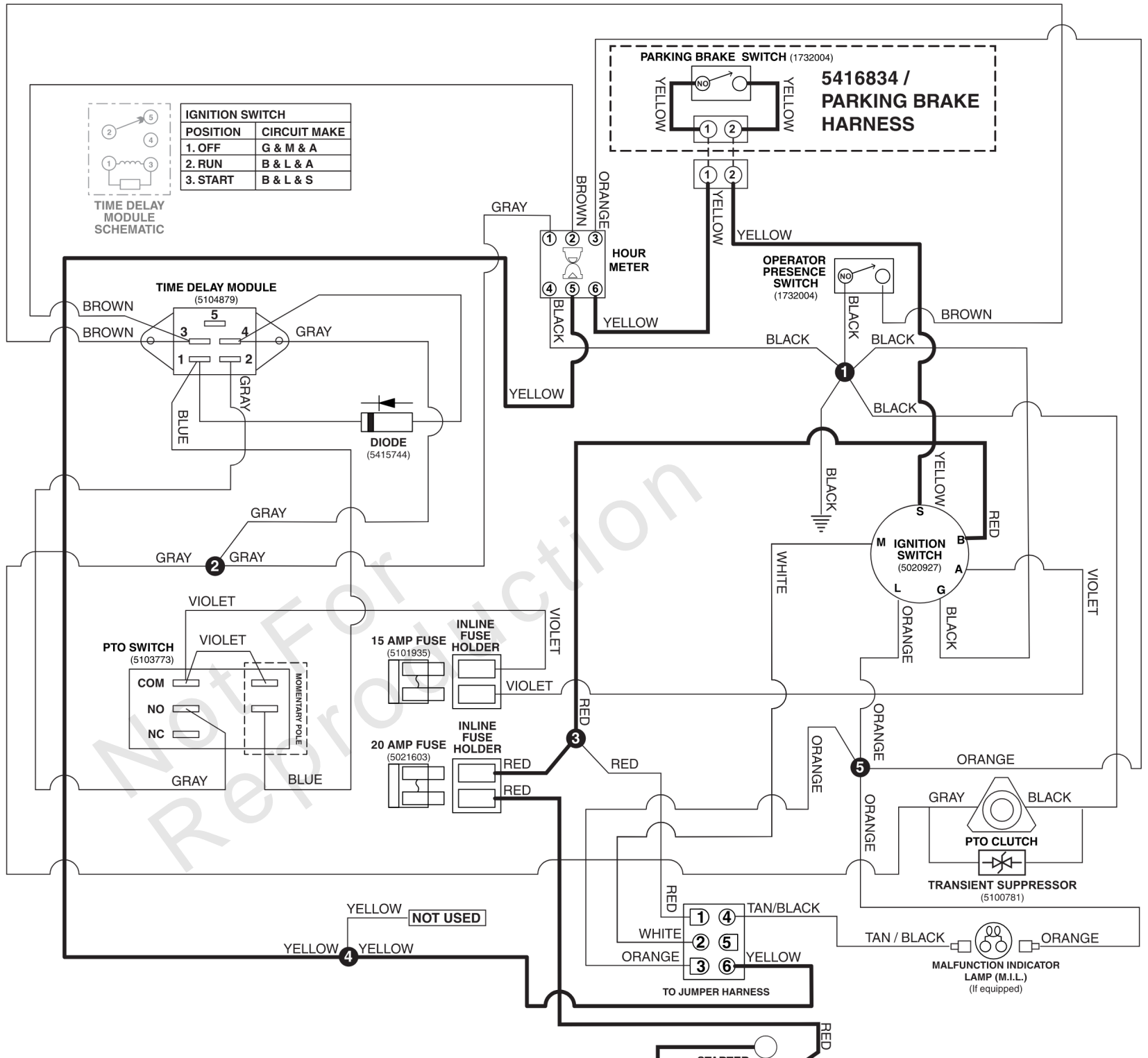
Note: Unless noted otherwise, use the standard torque specifications

Mfg. No: 5902170

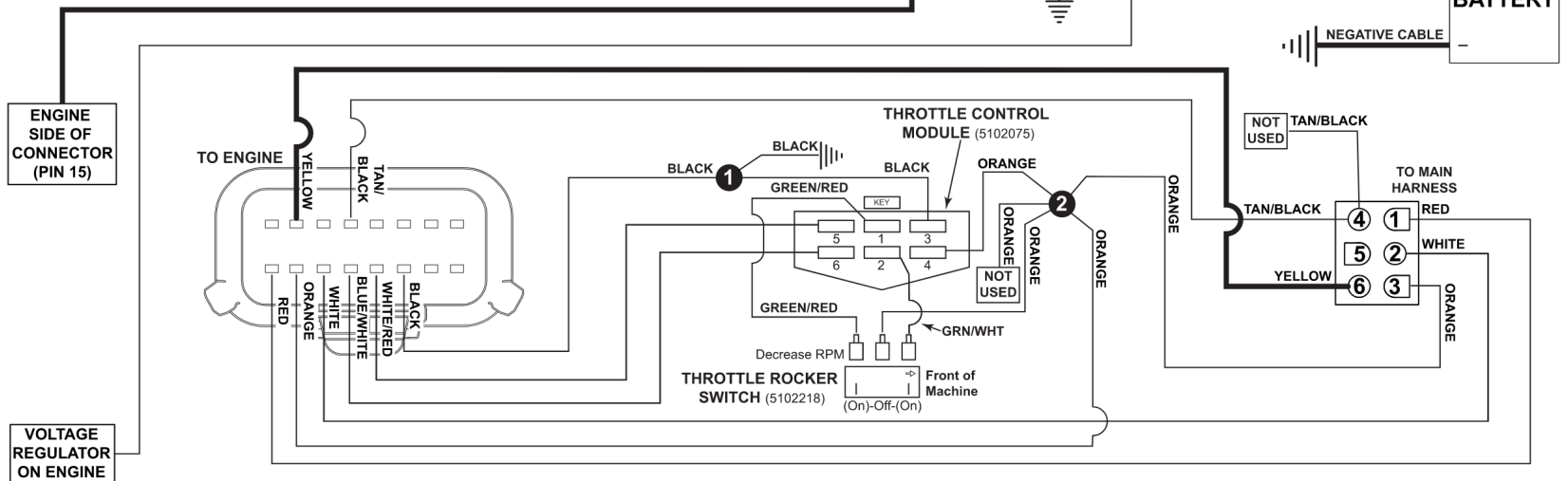
5105537 / SRS MAIN WIRE HARNESS - BRIGGS & STRATTON 61A777 ENGINES

5105537I

(If internal schematic of the switch is not shown, the image of the switch represents the back view of the connector as it is connected to the switch.)



5108058 / JUMPER HARNESS



Electrical Schematic - Cranking Circuit B&S 61A777

| REF NO | PART NO | QTY | DESCRIPTION |
|---------|-----------|-----|-----------------|
| 5105537 | 5105537FS | 1 | HARNESS, WIRING |
| 5108058 | 84006567 | 1 | HARNESS, Jumper |
| 5416834 | 5416834FS | 1 | HARNESS, JUMPER |

Not For Reproduction

Electrical Schematic - Ignition Grounding Circuit B&S 61A777

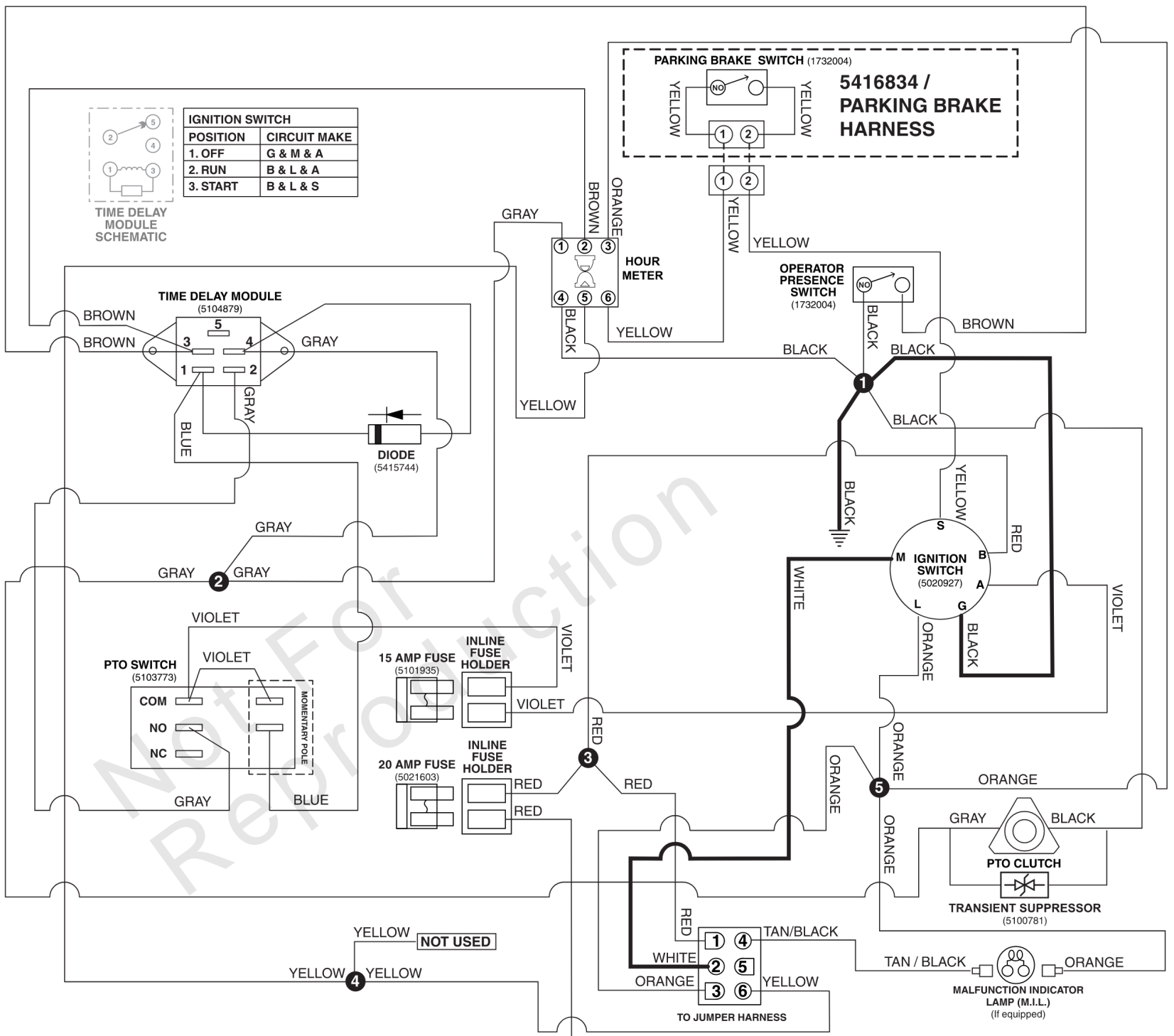
Note: Unless noted otherwise, use the standard torque specifications

Mfg. No: 5902170

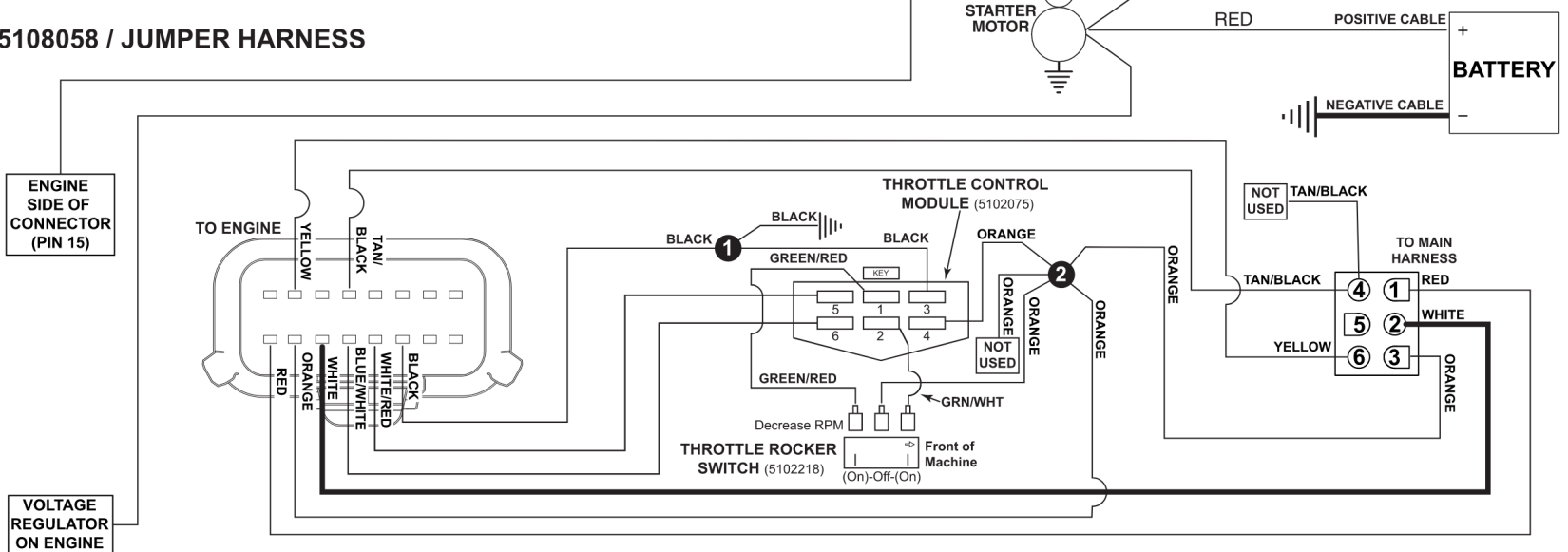
5105537 / SRS MAIN WIRE HARNESS - BRIGGS & STRATTON 61A777 ENGINES

5105537I

(If internal schematic of the switch is not shown, the image of the switch represents the back view of the connector as it is connected to the switch.)



5108058 / JUMPER HARNESS



Electrical Schematic - Ignition Grounding Circuit B&S 61A777

| REF NO | PART NO | QTY | DESCRIPTION |
|---------------|----------------|------------|--------------------|
| 5105537 | 5105537FS | 1 | HARNESS, WIRING |
| 5108058 | 84006567 | 1 | HARNESS, Jumper |
| 5416834 | 5416834FS | 1 | HARNESS, JUMPER |

Not For Reproduction

Electrical Schematic - PTO Op. Pres. Circuit B&S 61A777

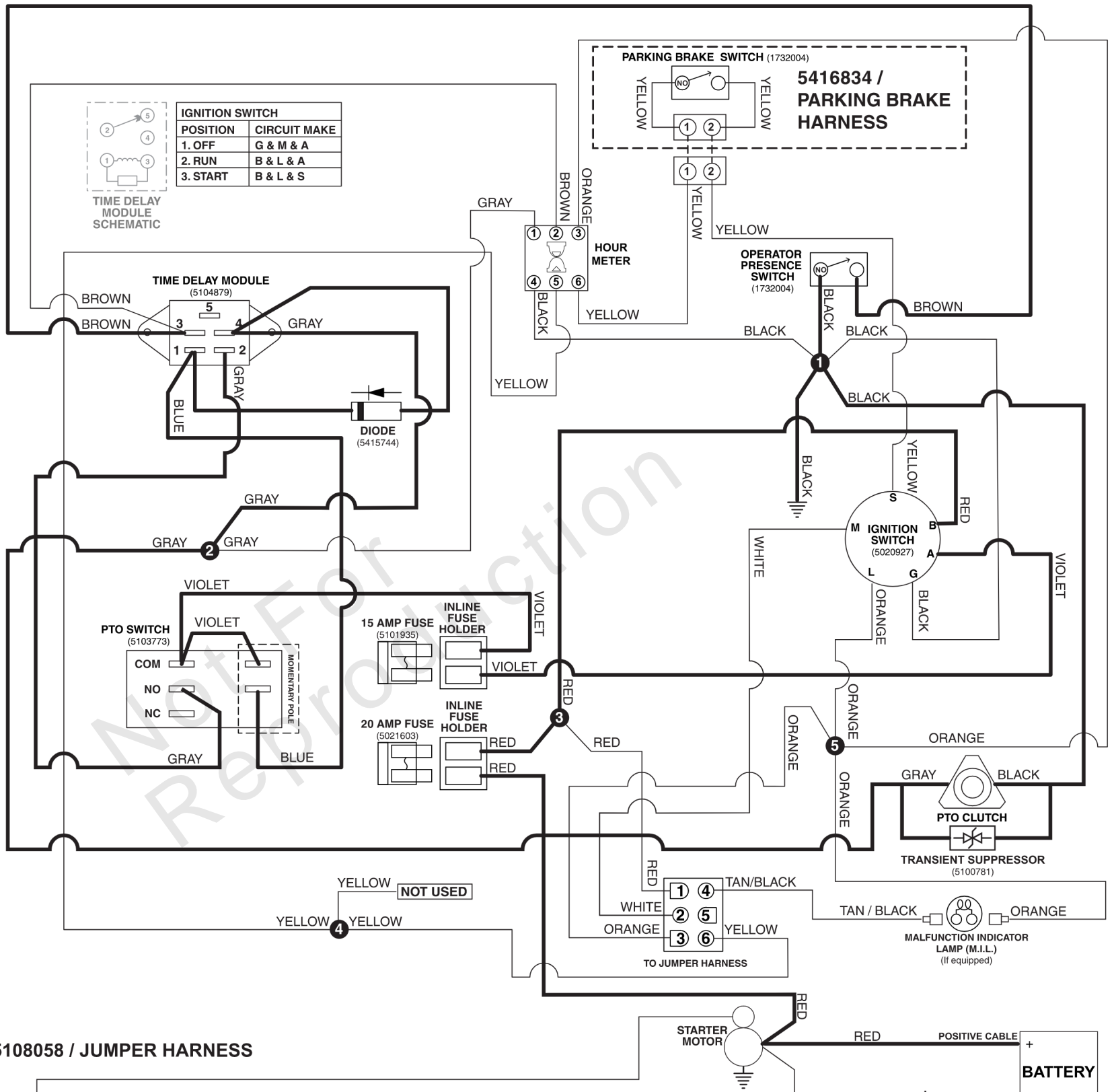
Note: Unless noted otherwise, use the standard torque specifications

Mfg. No: 5902170

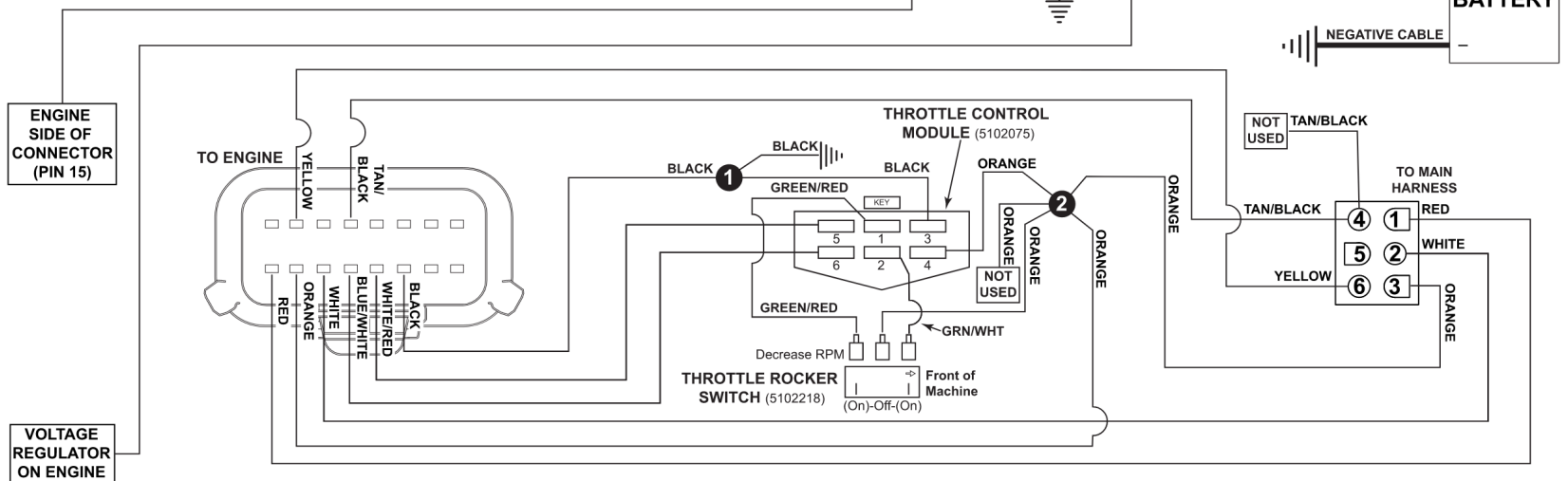
5105537 / SRS MAIN WIRE HARNESS - BRIGGS & STRATTON 61A777 ENGINES

5105537I

(If internal schematic of the switch is not shown, the image of the switch represents the back view of the connector as it is connected to the switch.)



5108058 / JUMPER HARNESS



Electrical Schematic - PTO Op. Pres. Circuit B&S 61A777

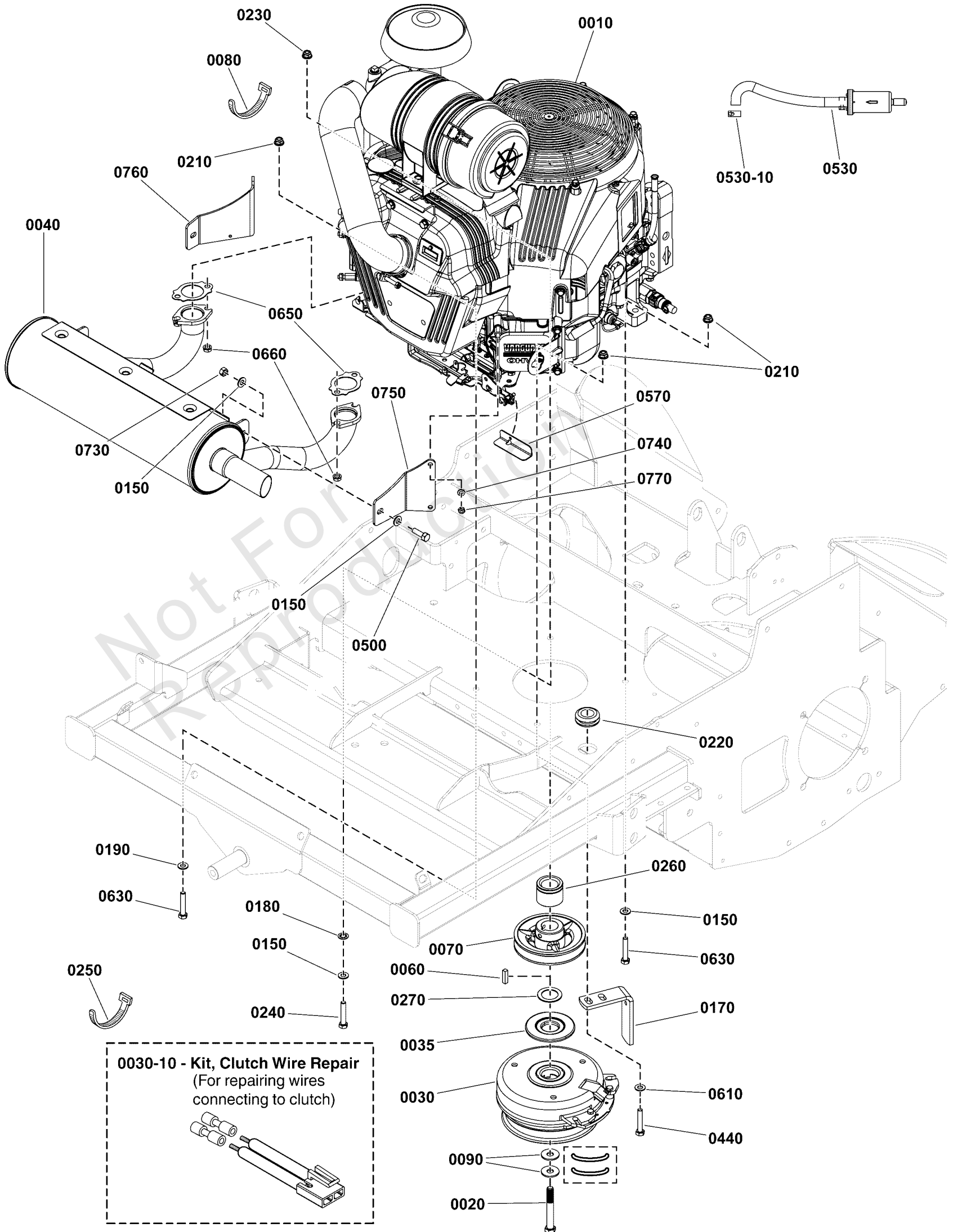
| REF NO | PART NO | QTY | DESCRIPTION |
|---------|-----------|-----|-----------------|
| 5105537 | 5105537FS | 1 | HARNESS, WIRING |
| 5108058 | 84006567 | 1 | HARNESS, Jumper |
| 5416834 | 5416834FS | 1 | HARNESS, JUMPER |

Not For Reproduction

Engine & PTO Group - Briggs & Stratton 61E877 S/N: 4002038355 and Above

Note: Unless noted otherwise, use the standard torque specifications

Mfg. No: 5902170



Engine & PTO Group - Briggs & Stratton 61E877 S/N: 4002038355 and Above

| REF NO | PART NO | QTY | DESCRIPTION |
|---------|------------|-----|---|
| 0010 | ----- | 1 | ENGINE, 37HP EFI, B&S, OIL GUARD (61E877-0112-J1) -(S/N: 4002218814 and below)(Refer to Note: *) |
| 0010 | ----- | 1 | ENGINE, 37HP EFI, B&S, OIL GUARD (61A777-0100-J1) -(S/N: 4002218815 and above)(Refer to Note: *) |
| 0020 | 5103300 | 1 | BOLT, CRANKSHAFT, 7/16-20 X 3-1/4, GD 8 -(S/N: 4002218814 and below)(Refer to Note: *) |
| 0020 | 5102867 | | BOLT, CRANKSHAFT, 7/16-20 X 3-1/2, GD8 -(S/N: 4002218815 and above)(Refer to Note: *) |
| 0030 | 5110177 | 1 | CLUTCH, 250 LBS., 1.13", WGC |
| 0030-10 | 5600575 | 1 | KIT, CLUTCH WIRE REPAIR |
| 0035 | 5108851 | 1 | WATER GUARD, WARNER C 250 FT-LBS CLUTCH |
| 0040 | 5601367 | 1 | KIT, Z3X MUFFLER AND MOUNT REPLACEMENT -(S/N: 4002218814 and below) |
| 0040 | 84008436 | 1 | MUFFLER -(S/N: 4002218815 and above) |
| 0060 | 5050407X10 | 1 | KEY, 1/4" SQ. X 1-1/4 |
| 0070 | 5021682 | 1 | PULLEY, 4.75 OD X 1-1/8 BORE, BC-48 |
| 0080 | 5101492 | 1 | TIE, SELF-LOCKING, 24" |
| 0090 | 5025585 | 2 | BELLEVILLE WASHER, 1.1875 X .442 X .098 |
| 0150 | 5025155 | 8 | WASHER, 5/16" SAE |
| 0170 | 5404967AA | 1 | ANCHOR, CLUTCH - BLK |
| 0180 | 5025188 | 1 | WASHER, 5/16" Internal Tooth Lock |
| 0190 | 5025156 | 2 | WASHER, 3/8 SAE |
| 0210 | 5025394 | 3 | NUT, 3/8 - 16 HEX NYLOCK FLANGE |
| 0220 | 5103944 | 1 | GROMMET, 7/8"ID, 1/4" THICK STK |
| 0230 | 5025616 | 1 | NUT, 5/16-24, TOP LOCK FLANGE, GD8 PHOS |
| 0240 | 5025025X14 | 1 | BOLT, 5/16-24 X 1-3/4, GD8, PHOS |
| 0250 | 5021030 | 2 | TIE, SELF-LOCKING, 6" |
| 0260 | 5100926 | 1 | SPACER, 1.13 X 1.75 X 1.35, CZ |
| 0270 | 5102271 | 1 | SHIM, .062 THK X 1-1/8 ID X 1-5/8 OD |
| 0440 | 80003522 | 1 | HHCS, 3/8-16 X 2.00, GR5, ZINC/CLEAR |
| 0500 | 5025011X8 | 2 | BOLT, 5/16-18 X 1" GRD5 YZ |
| 0530 | 846732 | 1 | HOSE/FILTER ASSY |
| 0530-10 | 5102046 | 1 | CLAMP, HOSE, EXTERNAL, 9/16 |
| 0570 | 5417151 | 1 | PLATE, SS HEAT SHIELD, Z3-BRIGGS -(S/N: 4002218814 and below)(Refer to Note: *) |
| 0610 | 5025293 | 1 | WASHER, 3/8" GR. 9 FLAT |
| 0630 | 5025013X14 | 2 | BOLT, 3/8-16 X 1-3/4" GD5 CZ |
| 0650 | 809872 | 2 | GASKET, Exhaust -(Order this part from your local PD warehouse). |
| 0660 | 842067 | 4 | NUT -(Order this part from your local PD warehouse). |
| 0730 | 80003675 | 2 | NUT, 5/16-1/8, HEX, CNTR LK, ZINC PHOS/OIL |
| 0740 | 5025169 | 4 | WASHER, 1/4 LOCK |
| 0750 | 84007953 | 1 | BRACKET, Muffler -(Left side) |
| 0760 | 84007954 | 1 | BRACKET, Muffler -(Right side) |
| 0770 | 5025420 | 4 | NUT, M6-1.0 |

Footnotes:

Note: *Mounts to engine using existing linkage cable hardware.

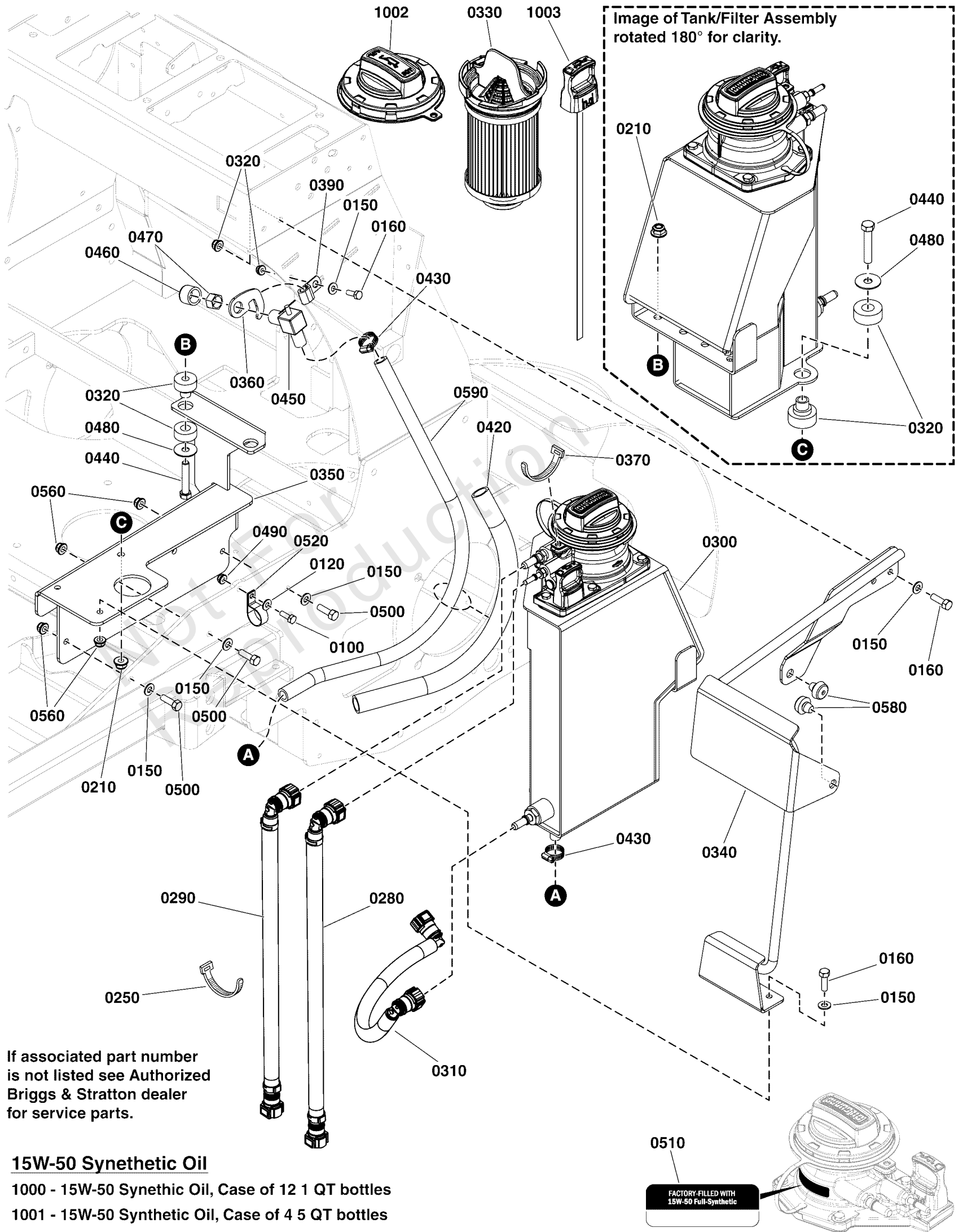
Note: *Torque crankshaft bolt to 65 ft-lbs (88 Nm)

Note: *Refer to your local Briggs & Stratton distributor for parts and service.

Engine Remote Oil Tank, Hoses & Mount Group

Note: Unless noted otherwise, use the standard torque specifications

Mfg. No: 5902170



If associated part number is not listed see Authorized Briggs & Stratton dealer for service parts.

15W-50 Synthetic Oil

1000 - 15W-50 Synthetic Oil, Case of 12 1 QT bottles

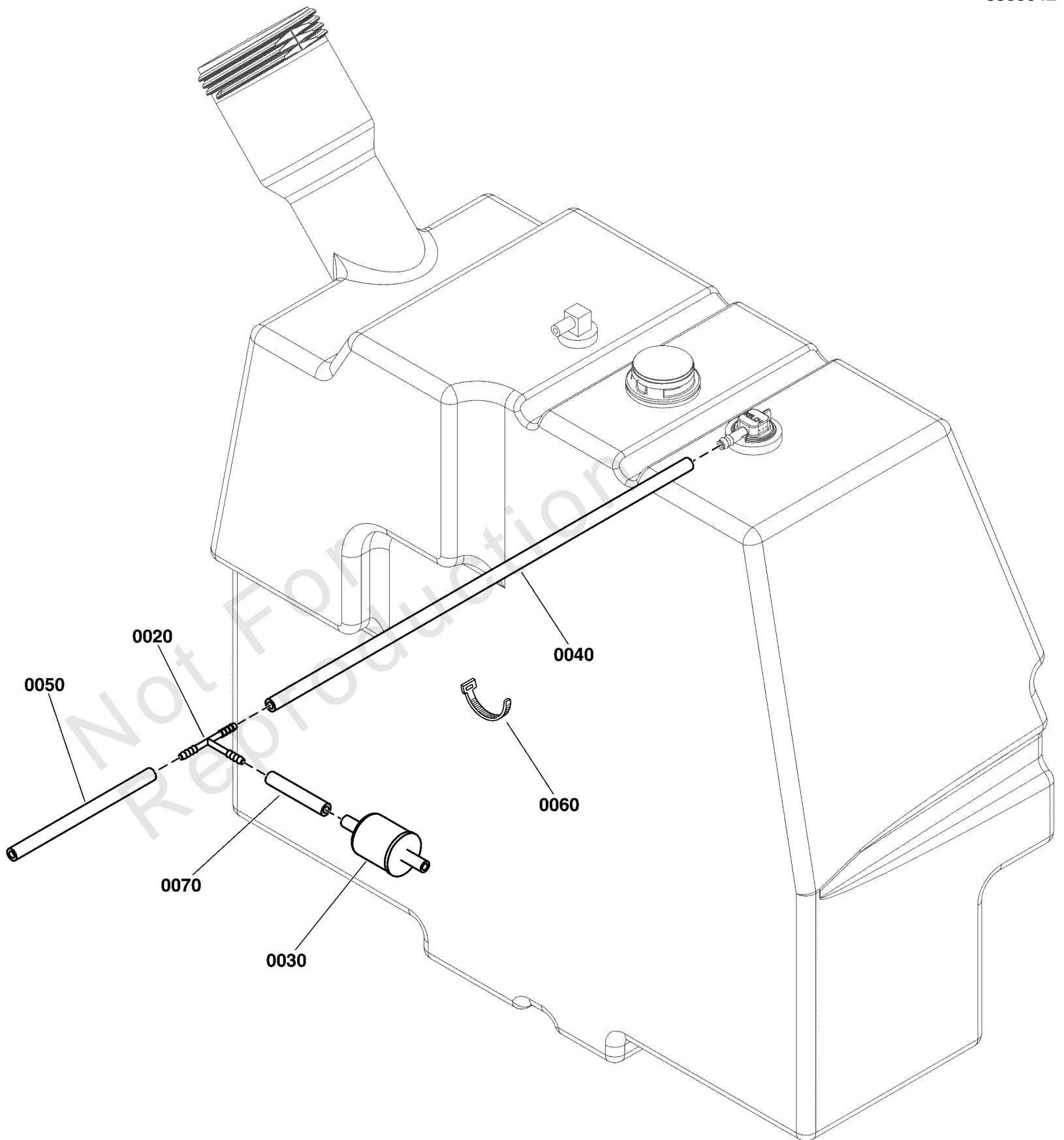
1001 - 15W-50 Synthetic Oil, Case of 4 5 QT bottles

Engine Remote Oil Tank, Hoses & Mount Group

| REF NO | PART NO | QTY | DESCRIPTION |
|--------|------------|-----|---|
| 0100 | 5025010X6 | 1 | BOLT, 1/4"-20 X 3/4" GD5 YZ |
| 0120 | 5025154 | 1 | WASHER, 1/4 SAE |
| 0150 | 5025155 | 7 | WASHER, 5/16" SAE |
| 0160 | 5025011X6 | 5 | BOLT, 5/16-18 X 3/4 GD5 |
| 0210 | 5025394 | 3 | NUT, 3/8 - 16 HEX NYLOCK FLANGE |
| 0250 | 5021030 | 1 | TIE, SELF-LOCKING, 6" |
| 0280 | 595943 | 1 | HOSE, Oil Vent -(Refer to Note: *) |
| 0290 | 84006597 | 1 | HOSE, OIL SCAVENGE -(Refer to Note: *) |
| 0300 | 595945 | 1 | TANK, Oil -(Refer to Note:*)(S/N: 4001863027 & Below) |
| 0300 | 84008062 | 1 | TANK/FILTER ASSY -(Refer to Note:*)(S/N: 4001863028 & Above) |
| 0310 | 595938 | 1 | HOSE, Oil Supply -(Refer to Note:*)(S/N: 4001863027 & Below) |
| 0310 | 84006654 | 1 | HOSE, OIL SUPPLY -(Refer to Note:*)(S/N: 4001863028 & Above) |
| 0320 | 5023131 | 3 | MOUNT, ISO, BOTTOM, RAD 5000Z-DIESEL |
| 0330 | 84007094 | 1 | FILTER, OIL -(Includes item #0370) |
| 0340 | 5416011AA | 1 | WELD, TANK GUARD, Z2 - BLK |
| 0350 | 5416104AA | 1 | WELD, LOWER MOUNT, OG, Z3 - BLK |
| 0360 | 5415914AA | 1 | PLATE, DRAIN HOOK, OG - BLK |
| 0370 | ----- | 1 | TIE, Cable, Yellow 7.6" |
| 0390 | 5025430 | 1 | CLAMP, 5/16", DOUBLE, WIRE & TUBE |
| 0420 | 5100384X18 | 1 | LOOM, CONVOLUTED SPLIT, 1 ID - 18 LONG |
| 0430 | 5021392 | 2 | CLAMP, #6 HOSE, STAINLESS |
| 0440 | 80003522 | 3 | HHCS, 3/8-16 X 2.00, GR5, ZINC/CLEAR |
| 0450 | 5105177 | 1 | VALVE, OIL DRAIN, M16X1.5 TO 1/2" |
| 0460 | 5105317 | 1 | OIL DRAIN CAP, OIL GUARD, DAPCO 4692 |
| 0470 | 5105318 | 1 | NUT, HEX, M16-1.5, DAPCO 4071 |
| 0480 | 5025165 | 3 | WASHER, 3/8" Fender |
| 0490 | 5025391 | 1 | NUT, 1/4-20 Hex Nylock Flange |
| 0500 | 5025011X8 | 3 | BOLT, 5/16-18 X 1" GRD5 YZ |
| 0510 | ----- | 1 | LABEL, OIL INFORMATION |
| 0520 | 5021500 | 1 | CLAMP, VINYL INSULATED, 1.00 |
| 0560 | 5025392 | 8 | NUT, 5/16-18 HEX NYLOCK FLANGE NUT |
| 0580 | 197546 | 2 | MNT, VBRTN, RBBR |
| 0590 | 5105661 | 1 | HOSE, Formed, Oil Guard |
| 1000 | 100169 | 1 | OIL-1QT VANGUARD (CASE) -(Case of twelve 1 QT bottles) |
| 1001 | 100170 | 1 | OIL-5QT VANGUARD (CASE) -(Case of four 5 QT bottles) |
| 1002 | 595931 | 1 | CAP, Oil Fill -(Yellow Cap)(Refer to Note: *) |
| 1002 | 84008058 | 1 | CAP, Oil Fill -(Black Cap)(Refer to Note: *) |
| 1003 | 595603 | 1 | DIPSTICK -(Refer to Note: *) |

Footnotes:

Note: *Order Oil Guard replacement parts from your Authorized Briggs & Stratton Engine Service Provider



Evap Group

| REF NO | PART NO | QTY | DESCRIPTION |
|--------|------------|-----|-------------------------------------|
| 0020 | 5103062 | 1 | FITTING, 3/16" TEE, BARB TYPE, HDPE |
| 0030 | 80025019 | 1 | FILTER, FUEL |
| 0040 | 7700552X22 | 1 | HOSE, VAPOR, 5MM ID, 22.00 LG |
| 0050 | 7700552X5 | 1 | HOSE, VAPOR, 5MM ID, 5.00 LG |
| 0060 | 5021030 | 5 | TIE, SELF-LOCKING, 6" |
| 0070 | 7700552X2 | 1 | HOSE, VAPOR, 5MM ID, 2.00 LG |

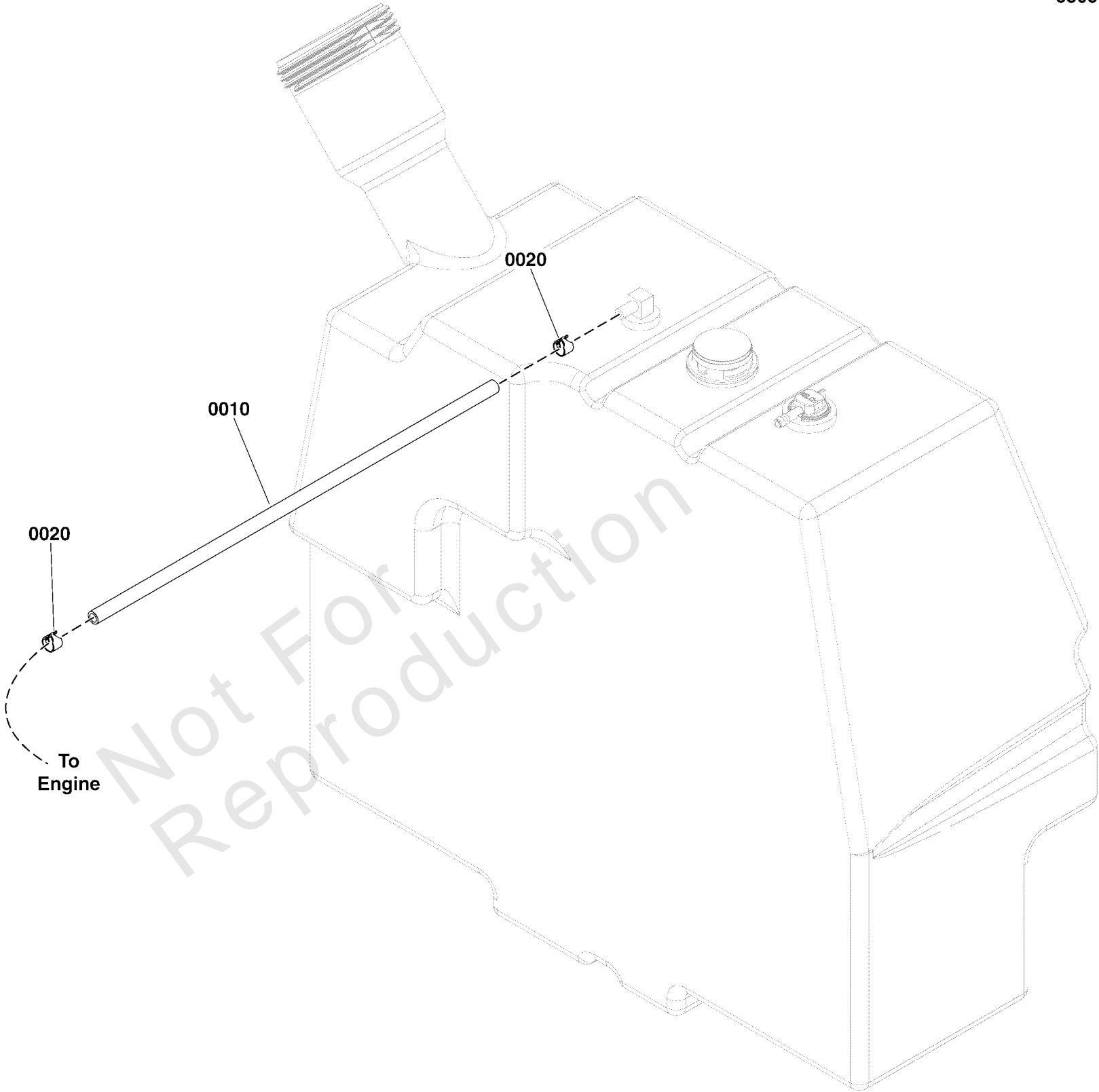
Not For Reproduction

Fuel Hose & Supply Group - Models w/ Briggs & Stratton Engine

Note: Unless noted otherwise, use the standard torque specifications

Mfg. No: 5902170

5305044



Fuel Hose & Supply Group - Models w/ Briggs & Stratton Engine

| REF NO | PART NO | QTY | DESCRIPTION |
|---------------|----------------|------------|-------------------------|
| 0010 | 5050831X7 | 1 | 1/4" Fuel Line, 7" Long |
| 0020 | 93807 | 2 | CLAMP, Hose |

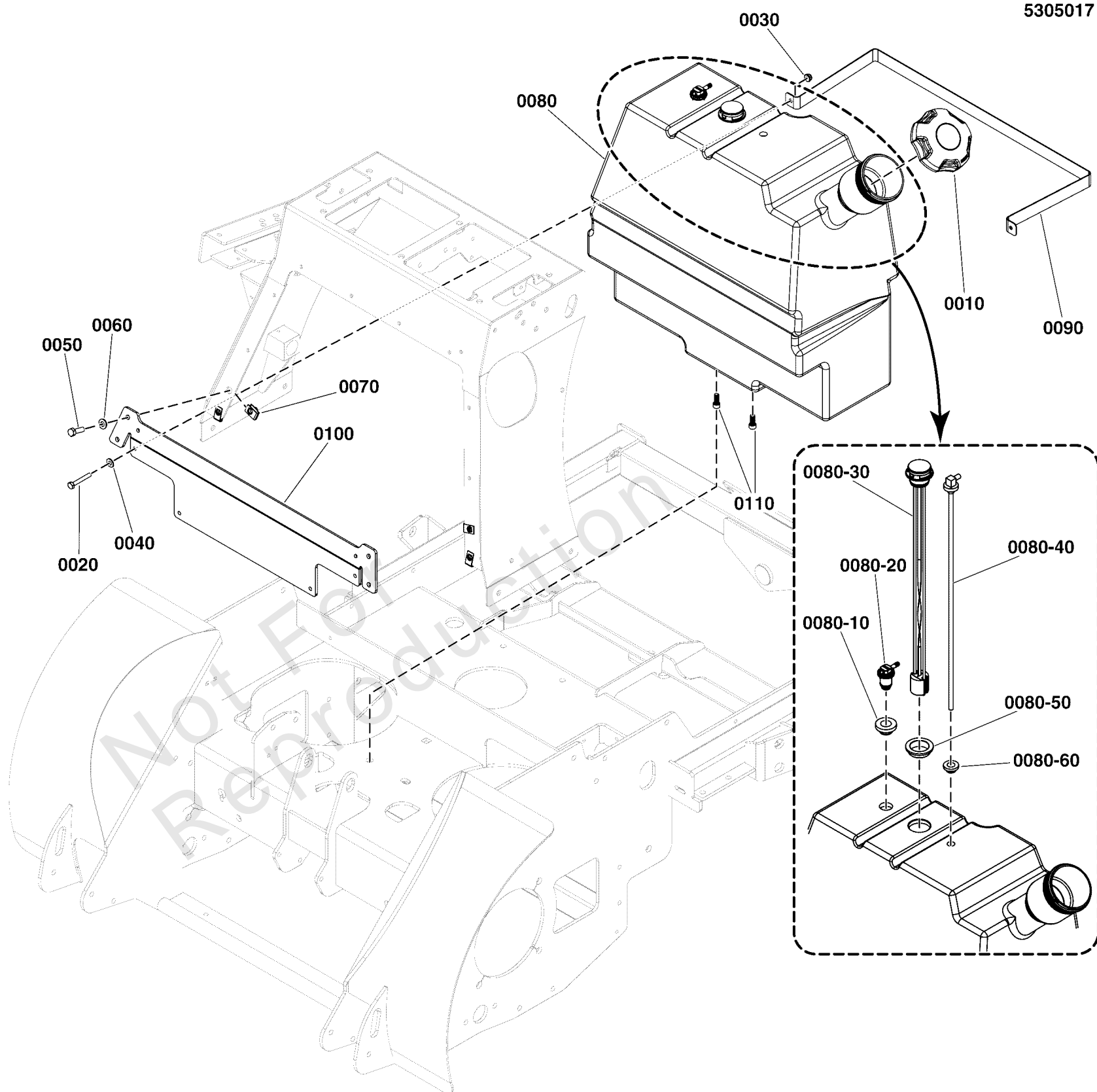
Not For Reproduction

Fuel Tank & Mount Group

Note: Unless noted otherwise, use the standard torque specifications

Mfg. No: 5902170

5305017



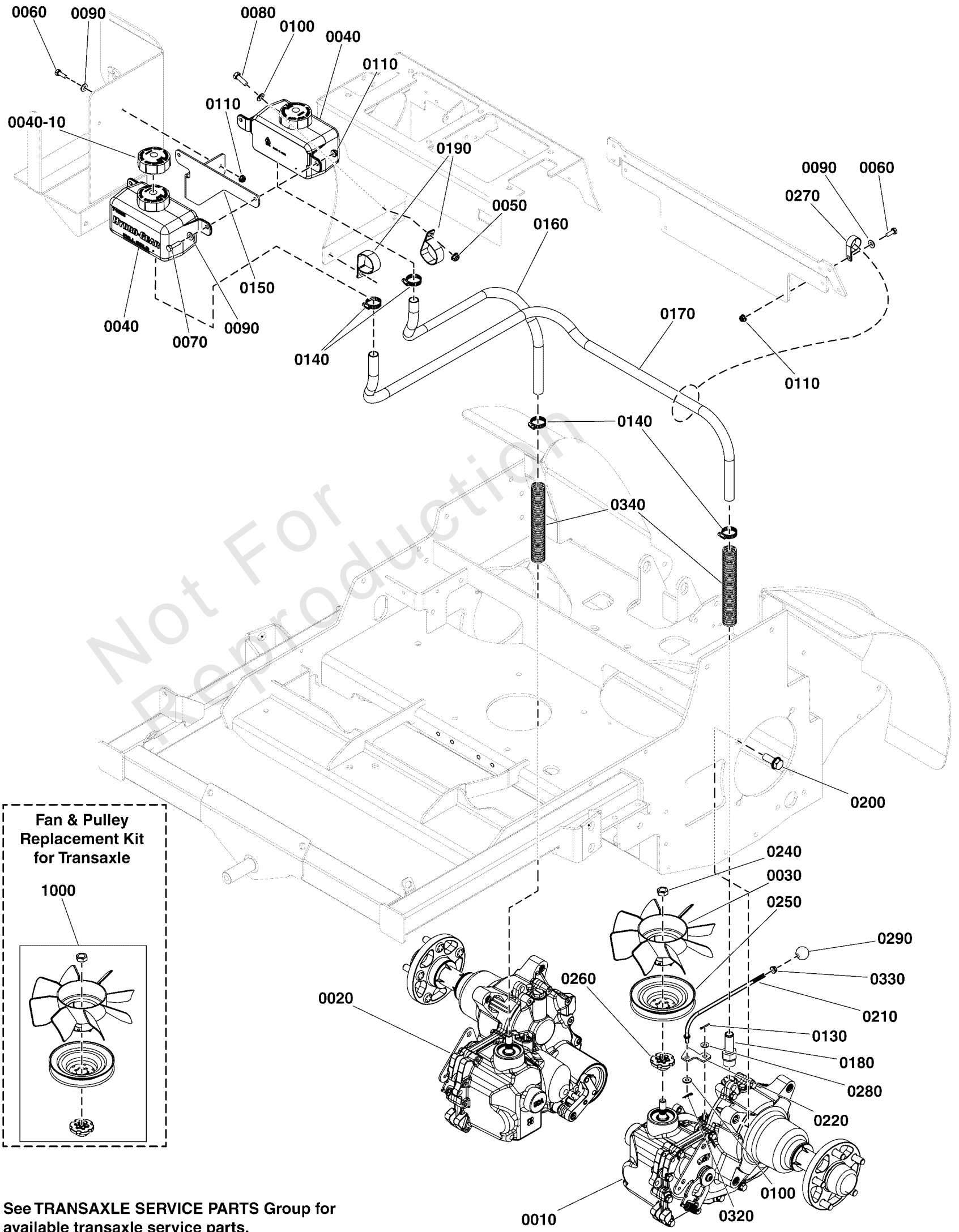
Fuel Tank & Mount Group

| REF NO | PART NO | QTY | DESCRIPTION |
|---------|------------|-----|---|
| 0010 | 5104686 | 1 | FUEL CAP, 3.25", MANAGED VENT, 16"TETHER |
| 0020 | 5025010X16 | 2 | BOLT, 1/4-20 X 2", GD5 |
| 0030 | 5025391 | 2 | NUT, 1/4-20 Hex Nylock Flange |
| 0040 | 5025154 | 2 | WASHER, 1/4 SAE |
| 0050 | 5025011X9 | 4 | BOLT, 5/16-18 X 1-1/8 GD5 CZ |
| 0060 | 5025155 | 4 | WASHER, 5/16" SAE |
| 0070 | 5022308 | 4 | BODY CLIP, 5/16-18-7GA MATERIAL |
| 0080 | 5104970 | 1 | TANK, FUEL, SRSZ3 -(Includes Components 0080-10, 0080-20, 0080-30, 0080-40, 0080-50 & 0080-60) |
| 0080-10 | 209043 | 1 | GROMMET (SV) |
| 0080-20 | 770046 | 1 | REMOTE VENT ASSEMBLY |
| 0080-30 | 5105477 | 1 | GAUGE, FUEL, 18.5", MAG -(Includes component 0080-50) |
| 0080-40 | 5104994 | 1 | ASM, PICKUP TUBE, FUEL TANK, 18.00" |
| 0080-50 | 5105477X1 | 1 | RUBBER SEAL -(Included with component 0080-30) |
| 0080-60 | 1726400 | 1 | BUSHING-FUEL TANK RED RUBBER |
| 0090 | 5415124A | 1 | STRAP, FUEL TANK, SRSZ3 - BLK |
| 0100 | 5415123B | 1 | PLATE, TANK MOUNT, SRSZ3 - RED |
| 0110 | 84008512 | 2 | SCREW, SOC HD, 5/16-18 X 1/2 |

Hydraulic Group

Note: Unless noted otherwise, use the standard torque specifications

Mfg. No: 5902170



Hydraulic Group

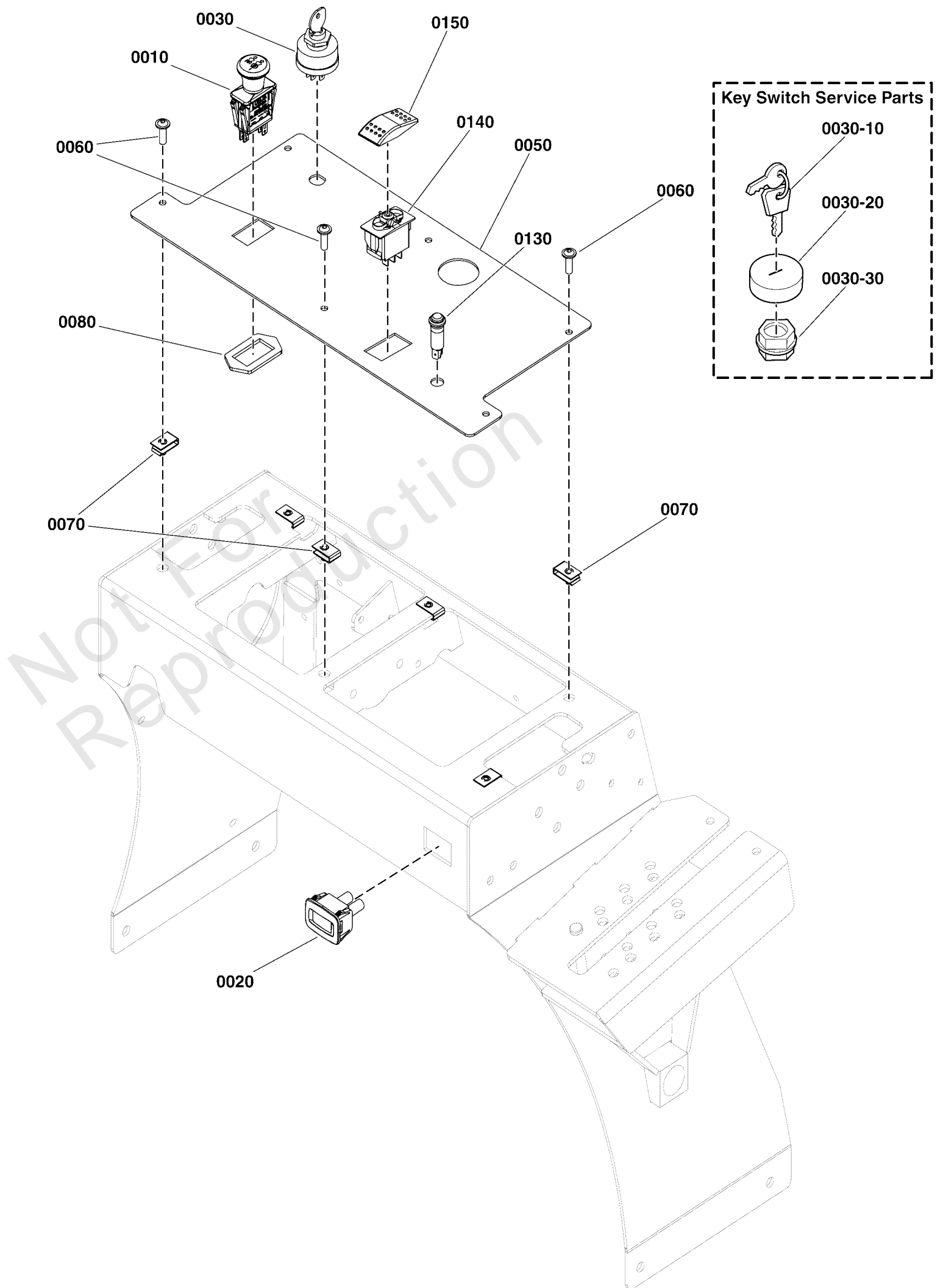
| REF NO | PART NO | QTY | DESCRIPTION |
|---------|------------|-----|--|
| 0010 | 84008730 | 1 | TRANSAXLE |
| 0020 | 84008731 | 1 | TRANSAXLE |
| 0030 | 5105330 | 2 | FAN, ZT-4400, H/G#54084, SRSZ3 & IS2100 |
| 0040 | 5101998 | 2 | HYDRO TANK, HYDRO-GEAR 71938, 1 LITER |
| 0040-10 | 5100778X1 | 2 | RESERVIOR CAP -(One per hydraulic oil tank) |
| 0050 | 5025392 | 1 | NUT, 5/16-18 HEX NYLOCK FLANGE NUT |
| 0060 | 5025010X6 | 4 | BOLT, 1/4"-20 X 3/4" GD5 YZ |
| 0070 | 5025010X8 | 2 | BOLT, 1/4-20 X 1" GD5 CZ |
| 0080 | 5025011X6 | 1 | BOLT, 5/16-18 X 3/4 GD5 |
| 0090 | 5025154 | 6 | WASHER, 1/4 SAE |
| 0100 | 5025155 | 3 | WASHER, 5/16" SAE |
| 0110 | 5025391 | 6 | NUT, 1/4-20 Hex Nylock Flange |
| 0130 | 80002736 | 2 | PIN, 3/32 X 0.750, COT, ZINC/CLEAR |
| 0140 | 5021164 | 4 | CLAMP, #10 HOSE, STAINLESS |
| 0150 | 5415122B | 1 | MOUNT, HYDRO BOTTLE, SRSZ3 - RED |
| 0160 | 5050933X27 | 1 | HOSE, 5/8, PUSH-LOCK, 27.00 |
| 0170 | 5050933X50 | 1 | HOSE, 5/8, PUSH-LOCK, 50.00 |
| 0180 | 5101987X1 | 2 | FITTING, BREATHER, ZT5400 |
| 0190 | 5023263 | 2 | CLAMP, VINYL INSULATED, 1.75 |
| 0200 | 5025535 | 8 | BOLT,HEX FLG,SER,GD8 1/2-13X1-1/4W/PATCH |
| 0210 | 5105462 | 2 | ROD, HYDRO RELEASE, SRSZ3, CZ |
| 0220 | 84008793 | 2 | LEVER, Actuator |
| 0240 | 5102916 | 2 | NUT, ZT5400 -(Torque transaxle fan nut to 540-660 in-lbs (61-75 Nm) |
| 0250 | 5105331 | 2 | PULLEY, ZT-4400, H/G#54230, SRSZ3 |
| 0260 | 5105332 | 2 | HUB, ZT-4400, H/G#54087, SRSZ3 & IS2100 |
| 0270 | 5021500 | 2 | CLAMP, VINYL INSULATED, 1.00 |
| 0280 | 5023202 | 2 | WASHER,WAVE,M10 |
| 0290 | 5105628 | 2 | KNOB, PLASTIC, 5/16 THRD |
| 0320 | 5025211 | 2 | PIN, HAIR, .0585 X 1-1/8, 1/4 EYE, YZ |
| 0330 | 5025045 | 2 | NUT, 5/16-24 HEX NYLON LOCK |
| 0340 | 5100384X8 | 2 | LOOM, CONVOLUTED SPLIT, 1" ID - 8" LONG |
| 1000 | 5105287 | 1 | KIT, FAN & PULLEY, REPLACEMENT -(Service Kit that consists of items: 0240, 0030, 0250 & 0260) |

Instrument Control Panel Group

Note: Unless noted otherwise, use the standard torque specifications

Mfg. No: 5902170

5305019



Instrument Control Panel Group

| REF NO | PART NO | QTY | DESCRIPTION |
|---------------|----------------|------------|--|
| 0010 | 5104697 | 1 | PTO SWITCH, MOMENTARY, SMALL KNOB |
| 0020 | 84008510 | 1 | HOURMETER |
| 0030 | 5020927 | 1 | SWITCH, IGNITION, 6 POST |
| 0030-10 | 5022789 | 1 | KEY, IGNITION MOLDED SET |
| 0030-20 | 5022790 | 1 | COVER, PLASTIC, SNAP ON |
| 0030-30 | 5022791 | 1 | PLASTIC NUT |
| 0050 | 5601071 | 1 | DASH PANEL W/DECALS, SRS Z3, KAWI |
| 0060 | 5106757 | 6 | SCREW, FLANGE, ALLEN HD, 1/4-20 X .75 SS |
| 0070 | 5022665 | 6 | BODY CLIP, 1/4-20 X 1/2" DEEP |
| 0080 | 5022222 | 1 | RING, SWITCH RETAINER |
| 0130 | 5103809 | 1 | LIGHT, INDICATOR, PANEL, LED, RED |
| 0140 | 5102218 | 1 | BODY, ROCKER SWITCH |
| 0150 | 5102219 | 1 | ACTUATOR, ROCKER SWITCH - RED |

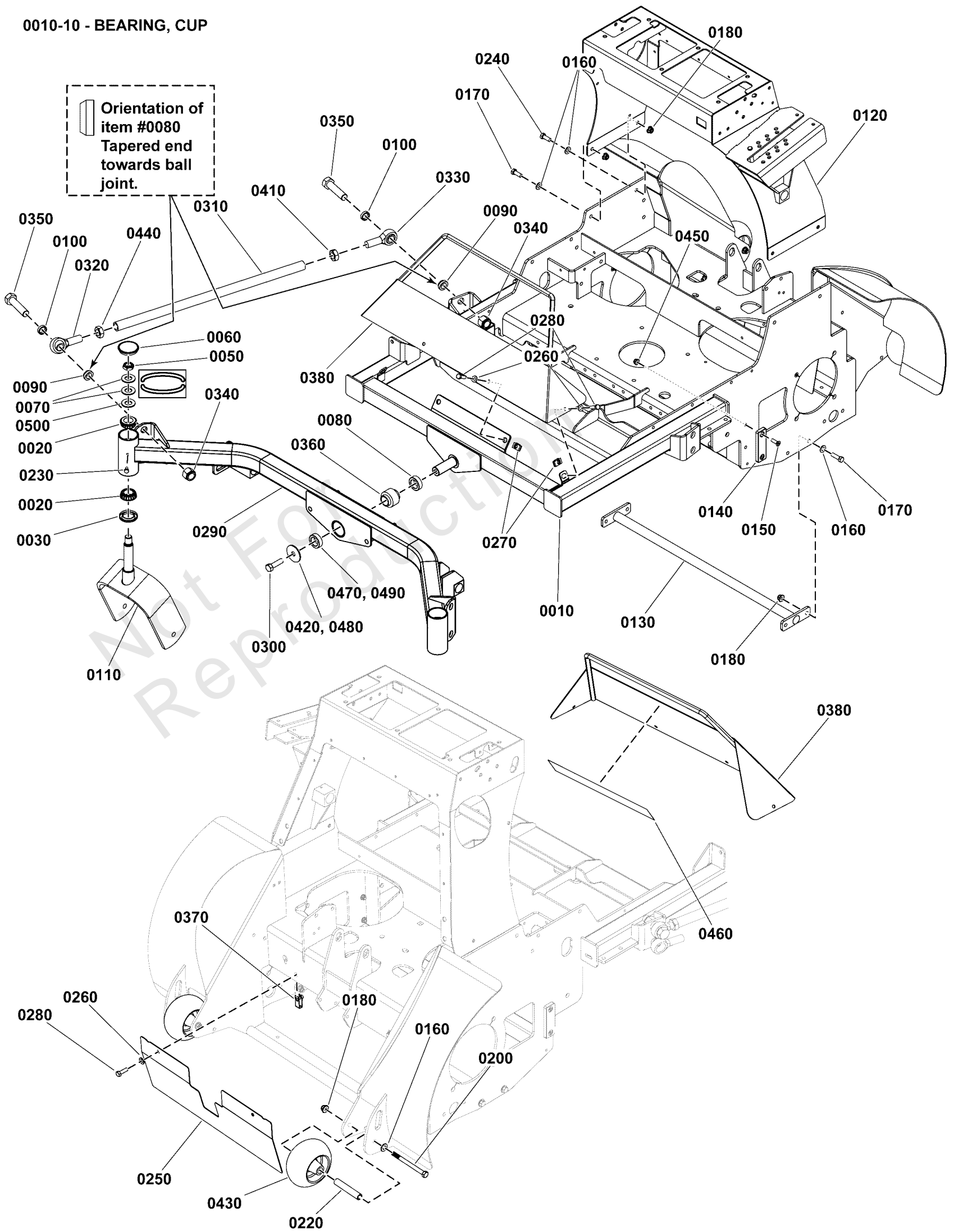
Not For Reproduction

Main Frame & Front Casters Group - Models w/ 72" Mower Deck

Note: Unless noted otherwise, use the standard torque specifications

Mfg. No: 5902170

0010-10 - BEARING, CUP



Main Frame & Front Casters Group - Models w/ 72" Mower Deck

| REF NO | PART NO | QTY | DESCRIPTION |
|---------|------------|-----|---|
| 0010 | ----- | 1 | WELD, MAIN FRAME, SRSZ3 72 - RED -(Refer to Note: *) |
| 0010-10 | 5020883 | 4 | CUP, BEARING (SV) |
| 0020 | 5020884 | 4 | BEARING, TAPERED ROLLER, 1" |
| 0030 | 5021072 | 2 | SEAL, GREASE |
| 0050 | 5025448 | 2 | NUT, 3/4-16, HEX JAM NYLON LOCK |
| 0060 | 5109845 | 2 | CAP, GREASE, LOW PROFILE |
| 0070 | 5025449 | 4 | WASHER, BELLEVILLE - 1.500 X .755 |
| 0080 | 5041476 | 1 | SPACER, 1.02 x 1.56 x .50 |
| 0090 | ----- | 8 | SPACER -(S/N: 4000162964 & Below)(Refer to Note: *) |
| 0090 | 5108732 | 8 | SPACER, .765 X 1.500 X .500, TPRD CZ -(S/N: 4000162965 & Above) |
| 0100 | 5047461 | 8 | SPACER, .76 x 1.00 x .25 |
| 0110 | 5411934B | 2 | WELD, CASTER YOKE - RED |
| 0120 | ----- | 1 | USE 5421637B - WELD, TOWER, SRSZ3 - RED -(S/N: 4001932990 and below)(Refer to Note: *) |
| 0120 | 5421637B | 1 | WELD, TOWER, SRSZ3 - RED -(S/N: 4001932991 and above) |
| 0130 | 5415454A | 1 | WELD, CROSS BRACE, SRSZ3 - BLK |
| 0140 | 5102702 | 2 | PAD, FRICTION, .375 X 1.25 X 4.00 |
| 0150 | 5025594 | 4 | SCREW, 5/16-18 X 1, PHILLIPS HD, BZ |
| 0160 | 5025156 | 10 | WASHER, 3/8 SAE |
| 0170 | 5025013X10 | 5 | BOLT, 3/8-16 X 1-1/4" GD5 CZ |
| 0180 | 5025394 | 10 | NUT, 3/8 - 16 HEX NYLOCK FLANGE |
| 0200 | 5025013X36 | 2 | BOLT, 3/8-16 X 4-1/2" GD5 CZ |
| 0220 | 5105554 | 2 | SPACER, .38 X .63 X 3.38, CZ |
| 0230 | 5025457 | 2 | BOLT, 1/4-28 X 1/2, GD5 YZ |
| 0240 | 5025013X8 | 3 | BOLT, 3/8-16 X 1" GD5 CZ |
| 0250 | 5415126B | 1 | PLATE, FOOT GUARD, SRSZ3 - RED |
| 0260 | 5025155 | 8 | WASHER, 5/16" SAE |
| 0270 | 5022308 | 4 | BODY CLIP, 5/16-18-7GA MATERIAL |
| 0280 | 5025011X8 | 8 | BOLT, 5/16-18 X 1" GRD5 YZ |
| 0290 | 5415726B | 1 | WELD, FRONT PIVOT, SRSZ3 72 -RED |
| 0300 | 5025018X10 | 1 | BOLT, 1/2-20 X 1-1/4" GD5 CZ |
| 0310 | 5105436 | 4 | ROD, FRONT END SUPPORT, CZ, SRSZ3 |
| 0320 | 5022039 | 4 | BALL JOINT, 3/4-16, MALE |
| 0330 | 5102756 | 4 | BALL JOINT, 3/4-16 MALE, LH |
| 0340 | 5025284 | 8 | NUT, Hex, Nylon Lock, 3/4-16 |
| 0350 | 5025265X24 | 8 | BOLT, 3/4-16 X 3" YZ GD5 |
| 0360 | 5105457 | 1 | BUSHING, CENTER BONDED, J-6310-1 |
| 0370 | 5025452 | 4 | BODY CLIP, 5/16-18 -1/4 MATERIAL |
| 0380 | 5415651B | 1 | WELD, FRONT GUARD, SRSZ3 72 - RED |
| 0410 | 5025580 | 4 | NUT, 3/4-16 HEX JAM, LH |
| 0420 | REF-WASHER | 1 | WASHER -(S/N: 4000629850 & Below)(Refer to Note: **) |
| 0430 | 5105521 | 2 | WHEEL, ANTI SCALP, 5" |
| 0440 | 5025093 | 4 | NUT, Hex, Jam, 3/4-16 |

Footnotes:

Note: **Replace items #0420 and #0470 with items #0480 and #0490, respectively.

Note: *If replacing, use 5421637B and 5421638AA)

Note: *If replacing this spacer for units in this serial number range, replace all eight spacers with the spacer listed in the higher serial number range

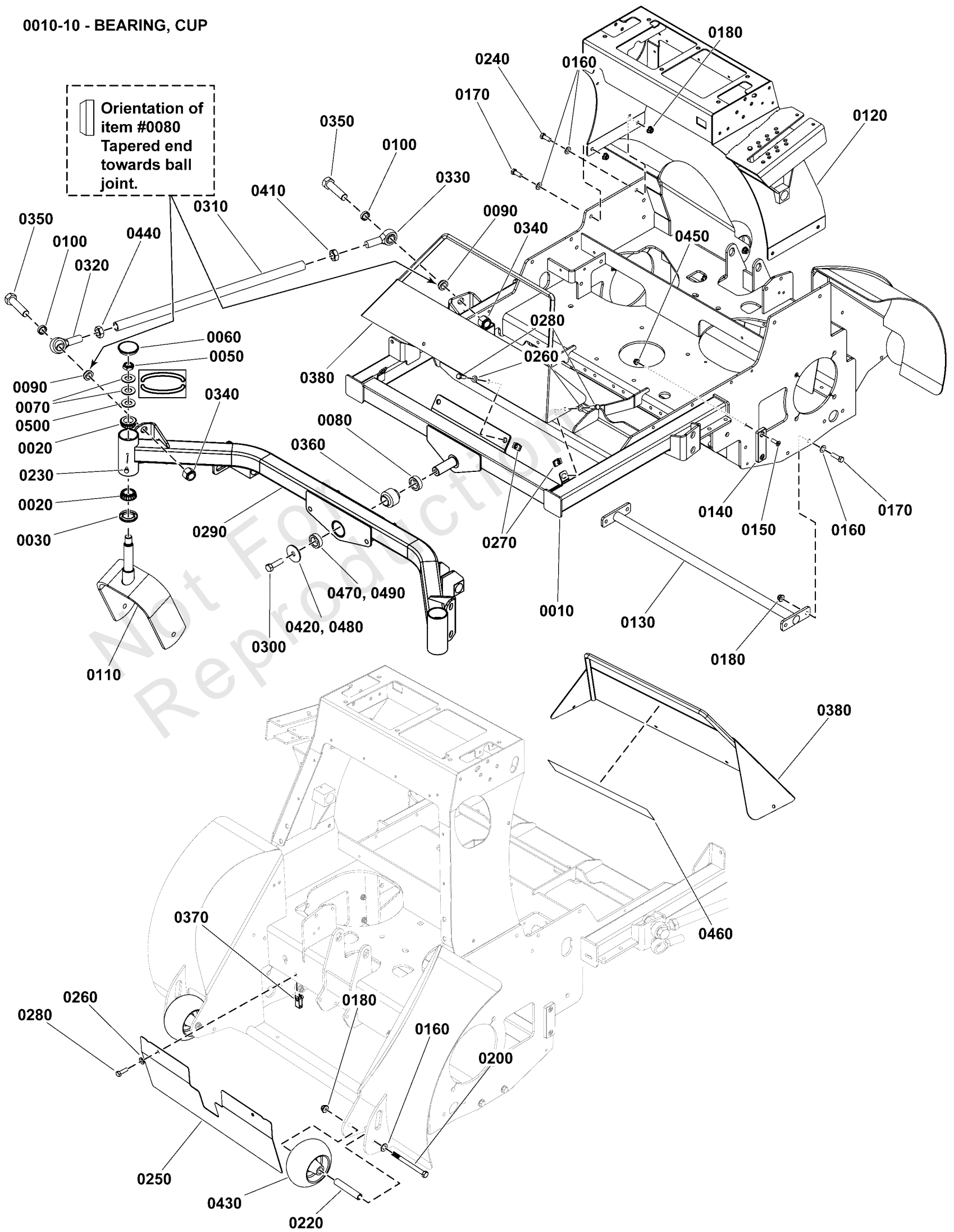
Note: *If replacing contact the Service Department at 1-800-933-6175.

Main Frame & Front Casters Group - Models w/ 72" Mower Deck

Note: Unless noted otherwise, use the standard torque specifications

Mfg. No: 5902170

0010-10 - BEARING, CUP



Main Frame & Front Casters Group - Models w/ 72" Mower Deck

| REF NO | PART NO | QTY | DESCRIPTION |
|--------|------------|-----|--|
| 0450 | 5025392 | 4 | NUT, 5/16-18 HEX NYLOCK FLANGE NUT |
| 0460 | 5021125X14 | 1 | ALUM. FOIL TAPE - 14.00 LONG |
| 0470 | ----- | 1 | SPACER -(S/N: 4000629850 & Below)(Refer to Note: **) |
| 0480 | 5108172 | 1 | WASHER. .52 X 2.5 X .25 -(S/N: 4000629851 & Above) |
| 0490 | 5108173 | 1 | SPACER, 1.015 X 1.562 X .615 -(S/N: 4000629851 & Above) |
| 0500 | 5025160 | 2 | WASHER, 3/4 SAE |

Not For
Reproduction

Footnotes:

Note: **Replace items #0420 and #0470 with items #0480 and #0490, respectively.

Note: *If replacing, use 5421637B and 5421638AA)

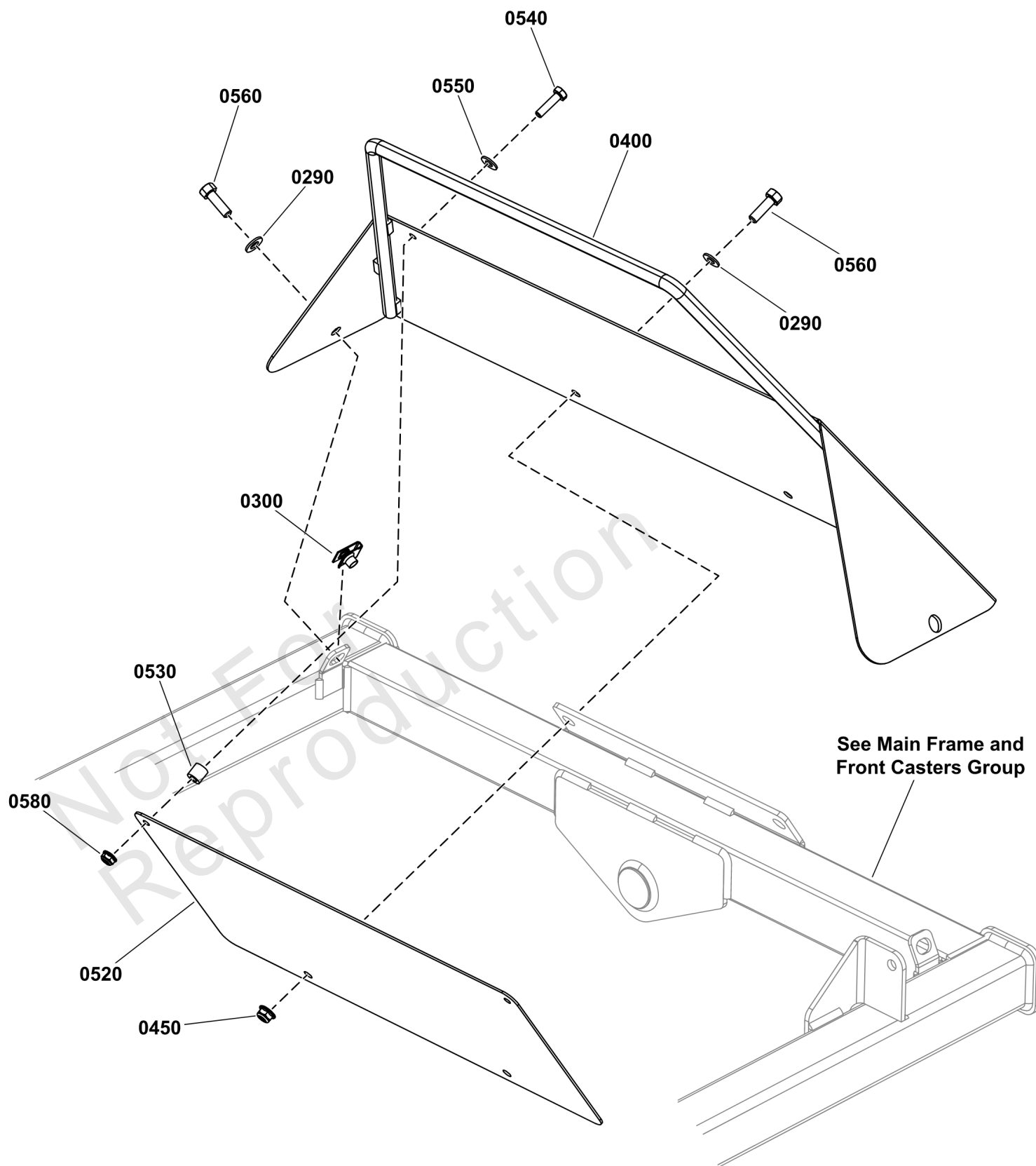
Note: *If replacing this spacer for units in this serial number range, replace all eight spacers with the spacer listed in the higher serial number range

Note: *If replacing contact the Service Department at 1-800-933-6175.

Main Frame and Front Casters Group - Muffler Heat Shields

Note: Unless noted otherwise, use the standard torque specifications

Mfg. No: 5902170



Main Frame and Front Casters Group - Muffler Heat Shields

| REF NO | PART NO | QTY | DESCRIPTION |
|--------|-----------|-----|------------------------------------|
| 0290 | 5025155 | 6 | WASHER, 5/16" SAE |
| 0300 | 5022308 | 2 | BODY CLIP, 5/16-18-7GA MATERIAL |
| 0400 | 84008425 | 1 | GUARD, FRONT |
| 0450 | 5025392 | 2 | NUT, 5/16-18 HEX NYLOCK FLANGE NUT |
| 0520 | 84011171 | 1 | SHIELD, Heat |
| 0530 | 5106902 | 2 | SPACER, .265 X .50 X .483, CZ |
| 0540 | 5025010X8 | 2 | BOLT, 1/4-20 X 1" GD5 CZ |
| 0550 | 5025154 | 2 | WASHER, 1/4 SAE |
| 0560 | 5025011X8 | 4 | BOLT, 5/16-18 X 1" GRD5 YZ |
| 0580 | 5025391 | 2 | NUT, 1/4-20 Hex Nylock Flange |

Not For Reproduction

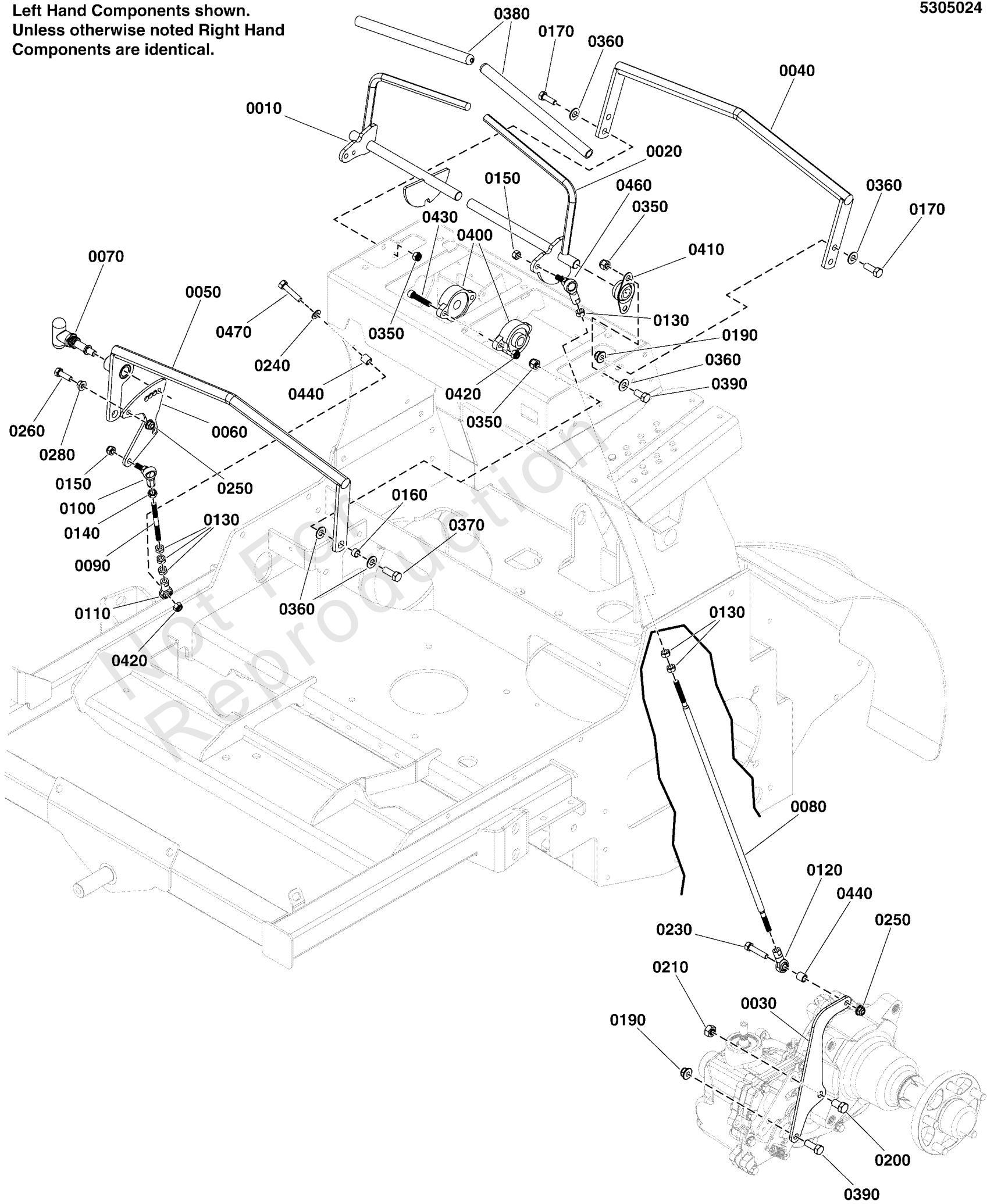
Motion Control Group

Note: Unless noted otherwise, use the standard torque specifications

Mfg. No: 5902170

Left Hand Components shown.
Unless otherwise noted Right Hand
Components are identical.

5305024



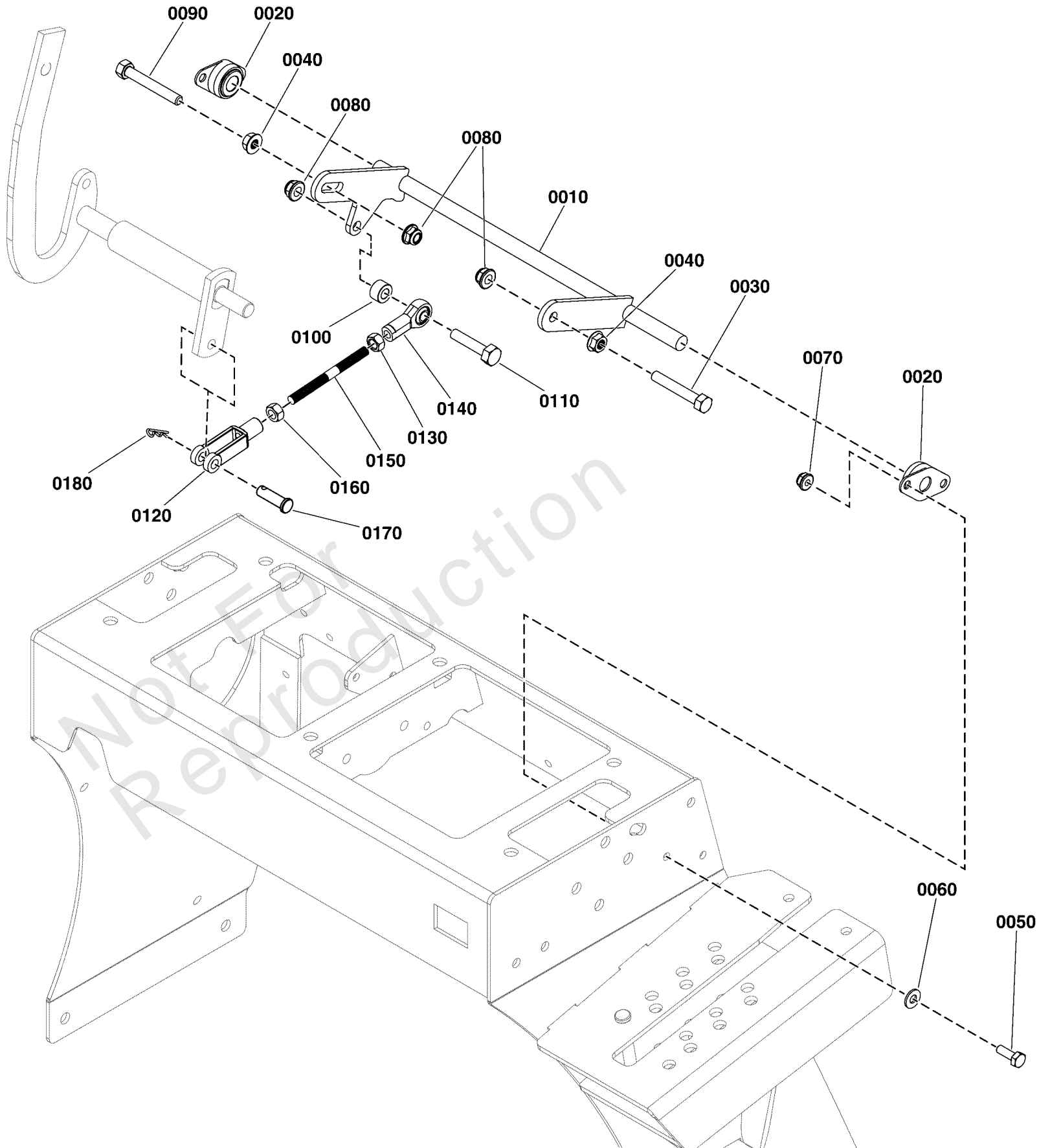
Motion Control Group

| REF NO | PART NO | QTY | DESCRIPTION |
|--------|------------|-----|--|
| 0010 | 84008277 | 1 | CONTROL, Handle |
| 0020 | 5416816A | 1 | WELD, CONTROL HANDLE, LH, SRS Z3 - BLK |
| 0030 | 5416114A | 2 | PLATE, CONTROL MOUNT, SRSZ3 - BLK |
| 0040 | 5413594A | 1 | WELD, REAR HANDLE, STAND ON - BLK |
| 0050 | 5413706A | 1 | WELD, FRONT HANDLE, STAND ON - BLK |
| 0060 | 5415998A | 1 | PLATE, SPEED ADJUSTMENT, SRSZ3 - BLK |
| 0070 | 5104609 | 1 | PULL PIN, 3/8" DIA X 9/16" STROKE |
| 0080 | 5105313 | 2 | ROD, MOTION CONTROL, Z3 |
| 0090 | 5104608 | 1 | ROD, 5/16-24 X 4.25, CZ |
| 0100 | 5104495 | 1 | BALL JOINT, 5/16-24 LH FEMALE W/STUD, BR |
| 0110 | 5104493 | 1 | BALL JOINT 5/16-24 RH FEMALE BRONZE RACE |
| 0120 | 5104494 | 2 | BALL JOINT 5/16-24 LH FEMALE BRONZE RACE |
| 0130 | 5025033 | 9 | NUT, Hex, 5/16-24 |
| 0140 | 5023212 | 1 | NUT, 5/16-24 HEX, LH |
| 0150 | 5025045 | 3 | NUT, 5/16-24 HEX NYLON LOCK |
| 0160 | 5041930 | 2 | SPACER, .38 X .50 X .27, CZ |
| 0170 | 5025013X8 | 4 | BOLT, 3/8-16 X 1" GD5 CZ |
| 0190 | 5025394 | 4 | NUT, 3/8 - 16 HEX NYLOCK FLANGE |
| 0200 | 5025015X6 | 2 | BOLT, 7/16-14 X 3/4, GD 5 YZ |
| 0210 | 5025044 | 2 | NUT, 7/16-14 HEX TOP LOCK |
| 0230 | 5025011X12 | 2 | BOLT, 5/16-18 X 1-1/2" GD5 YZ |
| 0240 | 5025155 | 1 | WASHER, 5/16" SAE |
| 0250 | 5025392 | 3 | NUT, 5/16-18 HEX NYLOCK FLANGE NUT |
| 0260 | 5025011X8 | 1 | BOLT, 5/16-18 X 1" GRD5 YZ |
| 0280 | 5025127 | 1 | NUT, 5/16-18 HEX SERRATED FLANGE (SMALL) |
| 0350 | 5025096 | 8 | NUT, 3/8-16 HEX NYLON LOCK |
| 0360 | 5025156 | 12 | WASHER, 3/8 SAE |
| 0370 | 5025013X10 | 2 | BOLT, 3/8-16 X 1-1/4" GD5 CZ |
| 0380 | 5101715 | 2 | GRIP, FOAM, .48 x 10 x .125 Black |
| 0390 | 5025013X6 | 6 | BOLT, 3/8-16 X 3/4" GD5 CZ |
| 0400 | 5022846 | 2 | BEARING-FLANGE, 5/8 |
| 0410 | 5104885 | 2 | BEARING, BRONZE, FLANGED, 5/8", FLB10 |
| 0420 | 5025057 | 3 | NUT, Hex, Nylon Locking, 5/16-18 |
| 0430 | 5025618X12 | 2 | SCREW, SOC HD, 5/16-18 X 1-1/2, BLK |
| 0440 | 5102148 | 3 | SPACER, .33 X .50 X .50, YZ |
| 0460 | 5104833 | 2 | BALL JOINT, 5/16-24 RH FEMALE W/STUD, BR |
| 0470 | 5025011X14 | 1 | BOLT, 5/16-18 X 1-3/4" GD5 YZ |

Neutral Lockout Group S/N: 4000089209 and Above

Note: Unless noted otherwise, use the standard torque specifications

Mfg. No: 5902170



Neutral Lockout Group S/N: 4000089209 and Above

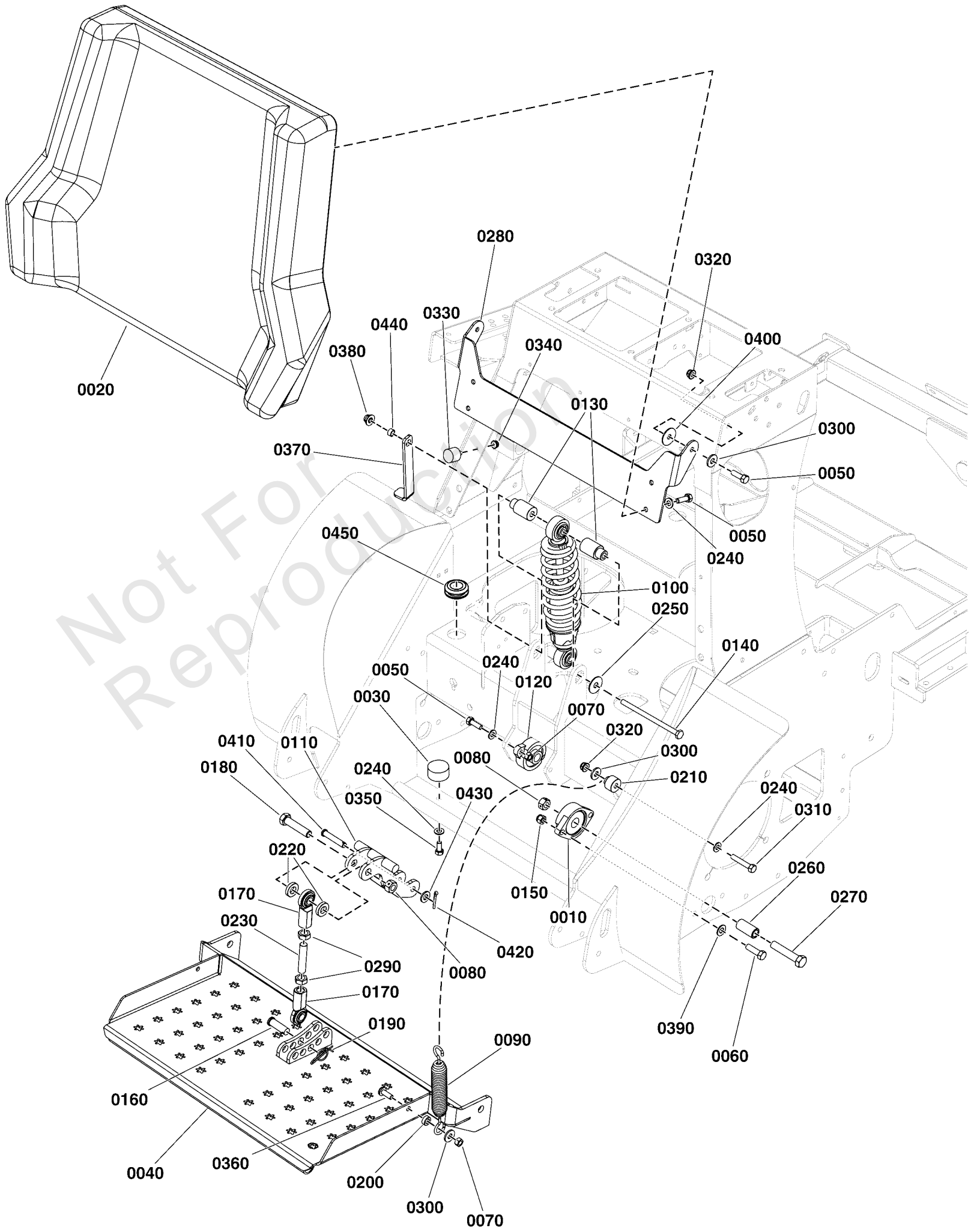
| REF NO | PART NO | QTY | DESCRIPTION |
|--------|------------|-----|--|
| 0010 | 5418767A | 1 | WELD, NEUTRAL LOCK SHAFT, SRS - BLK |
| 0020 | 5101123 | 2 | BEARING, 1/2 FLANGED, PLASTIC BALL |
| 0030 | 5025011X16 | 1 | BOLT, 5/16-18 X 2" GD5 YZ |
| 0040 | 5025127 | 2 | NUT, 5/16-18 HEX SERRATED FLANGE (SMALL) |
| 0050 | 5025010X6 | 4 | BOLT, 1/4"-20 X 3/4" GD5 YZ |
| 0060 | 5025154 | 4 | WASHER, 1/4 SAE |
| 0070 | 5025391 | 4 | NUT, 1/4-20 Hex Nylock Flange |
| 0080 | 5025392 | 3 | NUT, 5/16-18 HEX NYLOCK FLANGE NUT |
| 0090 | 5025011X18 | 1 | BOLT, 5/16-18 X 2-1/4" GD5 YZ |
| 0100 | 5103767 | 1 | SPACER, .33 X .63 X .36, PM, CZ |
| 0110 | 5025055X12 | 1 | BOLT- 5/16-18 X 1-1/2 GD5 TFL |
| 0120 | 5023323 | 1 | CLEVIS, 5/16-24, STEEL, CLEAR ZINC |
| 0130 | 5023212 | 1 | NUT, 5/16-24 HEX, LH |
| 0140 | 5104494 | 1 | BALL JOINT 5/16-24 LH FEMALE BRONZE RACE |
| 0150 | 5104695 | 1 | ROD, 5/16-24 X 3.25, CZ |
| 0160 | 5025033 | 1 | NUT, Hex, 5/16-24 |
| 0170 | 5025213X7 | 1 | PIN, CLEVIS, 5/16 X 1, PLATED |
| 0180 | 5025211 | 1 | PIN, HAIR, .0585 X 1-1/8, 1/4 EYE, YZ |

Operator Compartment Group - S/N: 2017890935 & Above

Note: Unless noted otherwise, use the standard torque specifications

Mfg. No: 5902170

5305039A



Operator Compartment Group - S/N: 2017890935 & Above

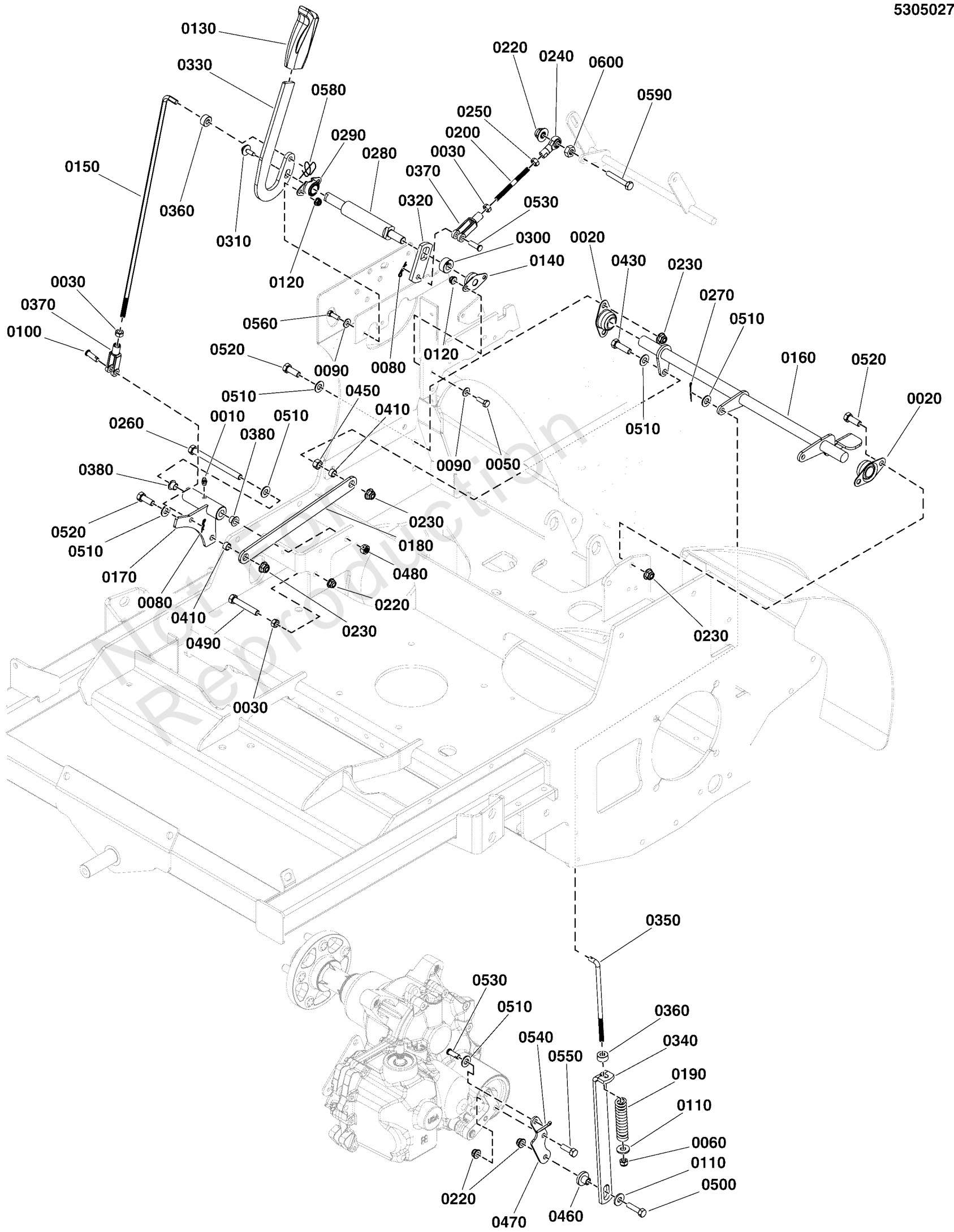
| REF NO | PART NO | QTY | DESCRIPTION |
|--------|------------|-----|--|
| 0010 | 5021499 | 2 | BEARING, FLANGE |
| 0020 | 5104452 | 1 | KNEE PAD, STAND-ON -(S/N: 4000875836 and below) |
| 0020 | 5108192 | 1 | KNEE PAD, STAND ON -(S/N: 4000875837 and above) |
| 0030 | 5104593 | 2 | BUMPER, RUBBER |
| 0040 | 5415115A | 1 | WELD, FOOT PLATFORM, SRSZ3 - BLK |
| 0050 | 5025011X8 | 10 | BOLT, 5/16-18 X 1" GRD5 YZ |
| 0060 | 5025013X10 | 4 | BOLT, 3/8-16 X 1-1/4" GD5 CZ |
| 0070 | 80003675 | 5 | NUT, 5/16-1/8, HEX, CNTR LK, ZINC PHOS/OIL |
| 0080 | 5025332 | 3 | NUT, 1/2-13 Hex Side Lock |
| 0090 | 5022847 | 1 | SPRING-EXT, 1.04 ODX6.935LGX.148WR, BLK |
| 0100 | 5104640 | 1 | SHOCK / SPRING ASSEMBLY |
| 0110 | 84008611 | 1 | LINKAGE |
| 0120 | 5022846 | 2 | BEARING-FLANGE, 5/8 |
| 0130 | 5104620 | 2 | SPACER, STEP, .39 X 1.00 X .69, CZ |
| 0140 | 5025013X44 | 1 | BOLT, 3/8-16 X 5-1/2" GD5 CZ |
| 0150 | 5025096 | 4 | NUT, 3/8-16 HEX NYLON LOCK |
| 0160 | 5025328X12 | 1 | PIN, CLEVIS, 1/2 X 1-1/2, PLATED |
| 0170 | 1702779 | 2 | JOINT-BALL .500-20 THD .500ID, CLR ZINC |
| 0180 | 5025017X16 | 1 | BOLT, 1/2-13 X 2" GD5 CZ |
| 0190 | 5025540 | 1 | PIN, SURE LOCK COTTER, .09 X .75, CZ |
| 0200 | 5104654 | 1 | SPACER, .33 X .63 X .25, CZ |
| 0210 | 5104655 | 1 | SPACER, .328 X 1.0 X .85, CZ |
| 0220 | 5100520 | 2 | SPACER, .52 X 1.00 X .22, PM, CZ |
| 0230 | 5104663 | 1 | ROD, THREADED, 1/2-20 X 2.25 |
| 0240 | 5025155 | 11 | WASHER, 5/16" SAE |
| 0250 | 5025165 | 1 | WASHER, 3/8" Fender |
| 0260 | 5104658 | 2 | SPACER, .52 X .74 X 1.50, CZ |
| 0270 | 5025017X18 | 2 | BOLT, 1/2-13 X 2-1/4" GD5 CZ |
| 0280 | 5415781B | 1 | PLATE, PAD MOUNT, SRS - RED |
| 0290 | 5025089 | 2 | NUT, 1/2-20 Hex Jam |
| 0300 | 5025337 | 4 | WASHER, 5/16" USS |
| 0310 | 5025011X14 | 1 | BOLT, 5/16-18 X 1-3/4" GD5 YZ |
| 0320 | 5025392 | 3 | NUT, 5/16-18 HEX NYLOCK FLANGE NUT |
| 0330 | 5022673 | 2 | BUMPER, RUBBER, 1/4-20 |
| 0340 | 5025391 | 2 | NUT, 1/4-20 Hex Nylock Flange |
| 0350 | 5025011X6 | 2 | BOLT, 5/16-18 X 3/4 GD5 |
| 0360 | 1960086 | 1 | SCREW, TRUSS HD TORX DR5/16-18X0.875 BLK |
| 0370 | 5107798 | 1 | PLATE, LINK, OPC, SRSZ |
| 0380 | 5025394 | 1 | NUT, 3/8 - 16 HEX NYLOCK FLANGE |
| 0390 | 5025156 | 4 | WASHER, 3/8 SAE |
| 0400 | 5025164 | 2 | WASHER, 5/16" Fender |
| 0410 | 84007981 | 1 | PIN, Clevis |
| 0420 | 5025203X6 | 1 | * PIN, COTTER, 1/8" X 3/4 |
| 0430 | 5025293 | 1 | WASHER, 3/8" GR. 9 FLAT |
| 0440 | 5041930 | 1 | SPACER, .38 X .50 X .27, CZ |
| 0450 | 5103944 | 1 | GROMMET, 7/8"ID, 1/4" THICK STK |

Parking Brake Group

Note: Unless noted otherwise, use the standard torque specifications

Mfg. No: 5902170

5305027



Parking Brake Group

| REF NO | PART NO | QTY | DESCRIPTION |
|---------|------------|-----|--|
| 0010 | 5020095 | 1 | GREASE FITTING, 1/4-28 Straight |
| 0020 | 5021098 | 2 | BEARING, BRONZE FLANGE, 3/4" |
| 0030 | 5025033 | 2 | NUT, Hex, 5/16-24 |
| 0050 | 5025010X6 | 2 | BOLT, 1/4"-20 X 3/4" GD5 YZ |
| 0060 | 5025045 | 2 | NUT, 5/16-24 HEX NYLON LOCK |
| 0080 | 5025211 | 1 | PIN, HAIR, .0585 X 1-1/8, 1/4 EYE, YZ |
| 0090 | 5025154 | 4 | WASHER, 1/4 SAE |
| 0100 | 5025213X8 | 2 | PIN, CLEVIS, 5/16 X 1, PLATED |
| 0110 | 5025337 | 4 | WASHER, 5/16" USS |
| 0120 | 5025391 | 4 | NUT, 1/4-20 Hex Nylock Flange |
| 0130 | 5100171 | 1 | GRIP, BLACK FLEXIBLE |
| 0140 | 5101123 | 1 | BEARING, 1/2 FLANGED, PLASTIC BALL |
| 0150 | 5105314 | 1 | ROD, BRAKE, Z3 -(S/N 2018025018 & Below) (Refer to Note: *) |
| 0150 | 5105701 | 1 | ROD, BRAKE, Z3 -(S/N 2018025019 & Above) |
| 0150-10 | 5020047 | 1 | COLLAR, 5/16" Set -(S/N 2018025018 & Below Only) |
| 0160 | 5415110A | 1 | WELD, LOWER BRAKE SHAFT, SRSZ3 - BLK |
| 0170 | 5415453A | 1 | WELD, BRAKE PIVOT, SRSZ3 - BLK |
| 0180 | 5415129A | 1 | LINK, BRAKE, SRSZ3 - BLK |
| 0190 | 5100385 | 2 | SPRING, COMP. 1/2 ID X .140 WIRE X 3.25 |
| 0200 | 5104695 | 1 | ROD, 5/16-24 X 3.25, CZ |
| 0220 | 5025392 | 5 | NUT, 5/16-18 HEX NYLOCK FLANGE NUT |
| 0230 | 5025394 | 6 | NUT, 3/8 - 16 HEX NYLOCK FLANGE |
| 0240 | 5104494 | 1 | BALL JOINT 5/16-24 LH FEMALE BRONZE RACE |
| 0250 | 5023212 | 1 | NUT, 5/16-24 HEX, LH |
| 0260 | 5025013X36 | 1 | BOLT, 3/8-16 X 4-1/2" GD5 CZ |
| 0270 | 80002736 | 2 | PIN, 3/32 X 0.750, COT, ZINC/CLEAR |
| 0280 | 5104768 | 1 | SHAFT, UPPER BRAKE ROD, SRSZ |
| 0290 | 5104270 | 1 | BEARING, 5/8" FLANGED, PLASTIC BALL |
| 0300 | 5010580 | 1 | COLLAR, 1/2 SET (1/2 SPLIT COLLAR IN MODEL) |
| 0310 | 2860664 | 1 | SCREW-HEX SEMS WSHR 1/4-20 X.88 DOG PT |
| 0320 | 5106314 | 1 | PLATE, BRAKE TAB, STAND-ON |
| 0330 | 5416876A | 1 | PLATE, BRAKE LEVER, SRSZ - BLK |
| 0340 | 84008450 | 2 | MOUNT |
| 0350 | 5105574 | 2 | ROD, LOWER BRAKE CONTROL, CZ |
| 0360 | 5020047 | 2 | COLLAR, 5/16" Set |
| 0370 | 5023323 | 2 | CLEVIS, 5/16-24, STEEL, CLEAR ZINC |
| 0380 | 5102773 | 2 | BUSHING, .38ID X .47 OD X .38L, FL |
| 0410 | 5041930 | 2 | SPACER, .38 X .50 X .27, CZ |
| 0430 | 5025013X10 | 1 | BOLT, 3/8-16 X 1-1/4" GD5 CZ |
| 0450 | 5025034 | 1 | NUT, 3/8-16 HEX, YZ |
| 0460 | 5105603 | 2 | SPACER, STEP, .328 X 1.00 X .625, CZ |
| 0470 | 5413575A | 2 | PLATE, BRAKE ARM, IS2100 - BLK |
| 0480 | 5025100 | 1 | NUT, Hex, Side Lock, 3/8-16 |
| 0490 | 5025013X18 | 1 | BOLT, 3/8-16 X 2-1/4" GD5 CZ |
| 0500 | 5025011X10 | 2 | BOLT, 5/16-18 X 1-1/4" GD5 YZ |

Footnotes:

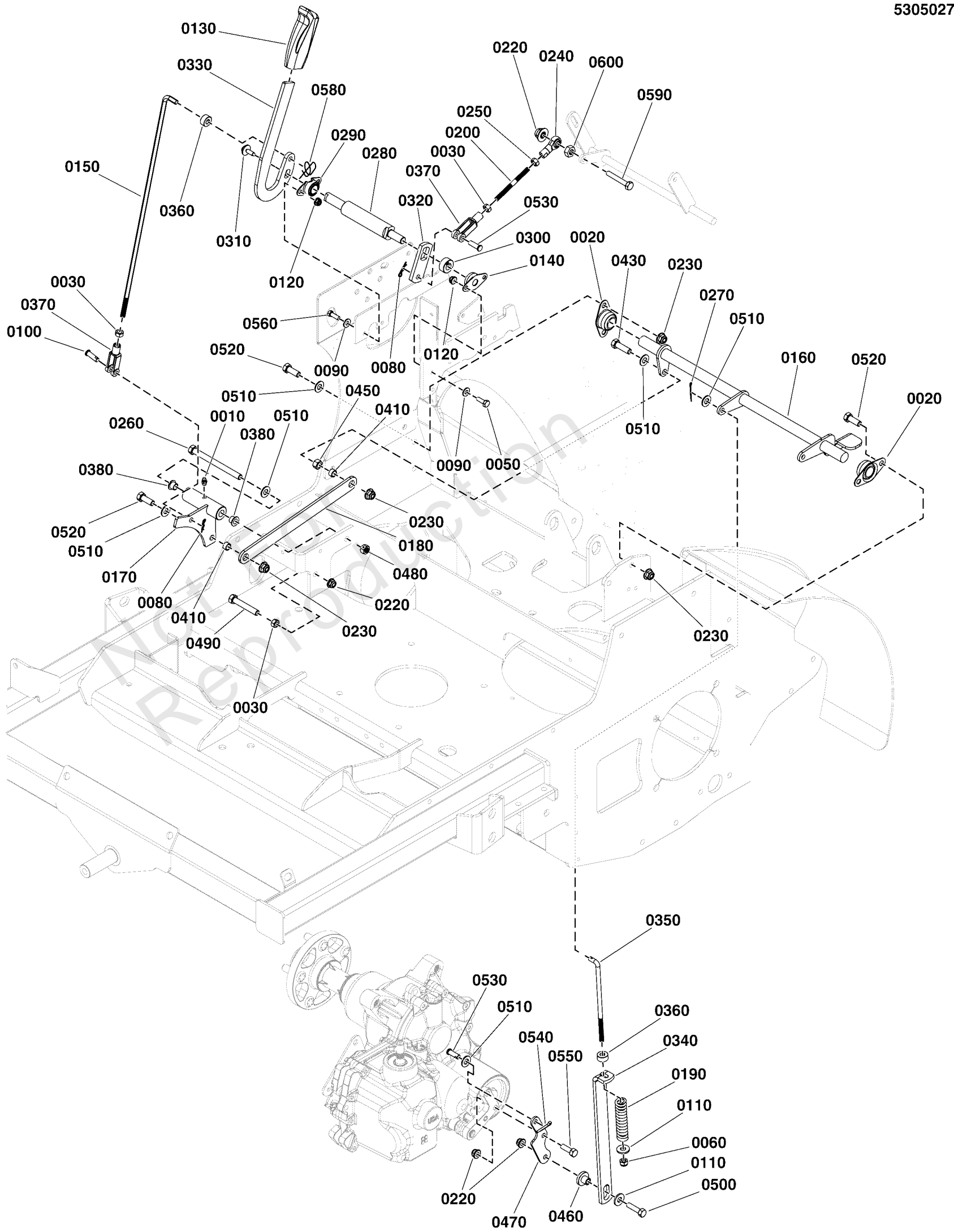
Note: **Older models may feature different hardware that is oriented differently, please update to the current hardware and orientation.
Note: * If replacing this rod, also order item #0580 and re-assemble to diagram.

Parking Brake Group

Note: Unless noted otherwise, use the standard torque specifications

Mfg. No: 5902170

5305027



Parking Brake Group

| REF NO | PART NO | QTY | DESCRIPTION |
|--------|------------|-----|---|
| 0510 | 5025156 | 5 | WASHER, 3/8 SAE |
| 0520 | 5025013X8 | 5 | BOLT, 3/8-16 X 1" GD5 CZ |
| 0530 | 5025213X7 | 3 | PIN, CLEVIS, 5/16 X 1, PLATED |
| 0540 | 5025203X6 | 2 | * PIN, COTTER, 1/8" X 3/4 |
| 0550 | 5025011X8 | 2 | BOLT, 5/16-18 X 1" GRD5 YZ |
| 0560 | ----- | 2 | HHCS, 1/4-20 X 0.625, GR5, ZINC/CLEAR |
| 0580 | 5025639 | 1 | RUE - 10 RETAINING PIN, .047"X5/16 SHAFT |
| 0590 | 5025055X12 | 1 | BOLT- 5/16-18 X 1-1/2 GD5 TFL -(Refer to Note: **) |
| 0600 | 5025032 | 1 | NUT, 5/16-18 HEX -(Refer to Note: **) |

Not For
Reproduction

Footnotes:

Note: **Older models may feature different hardware that is oriented differently, please update to the current hardware and orientation.

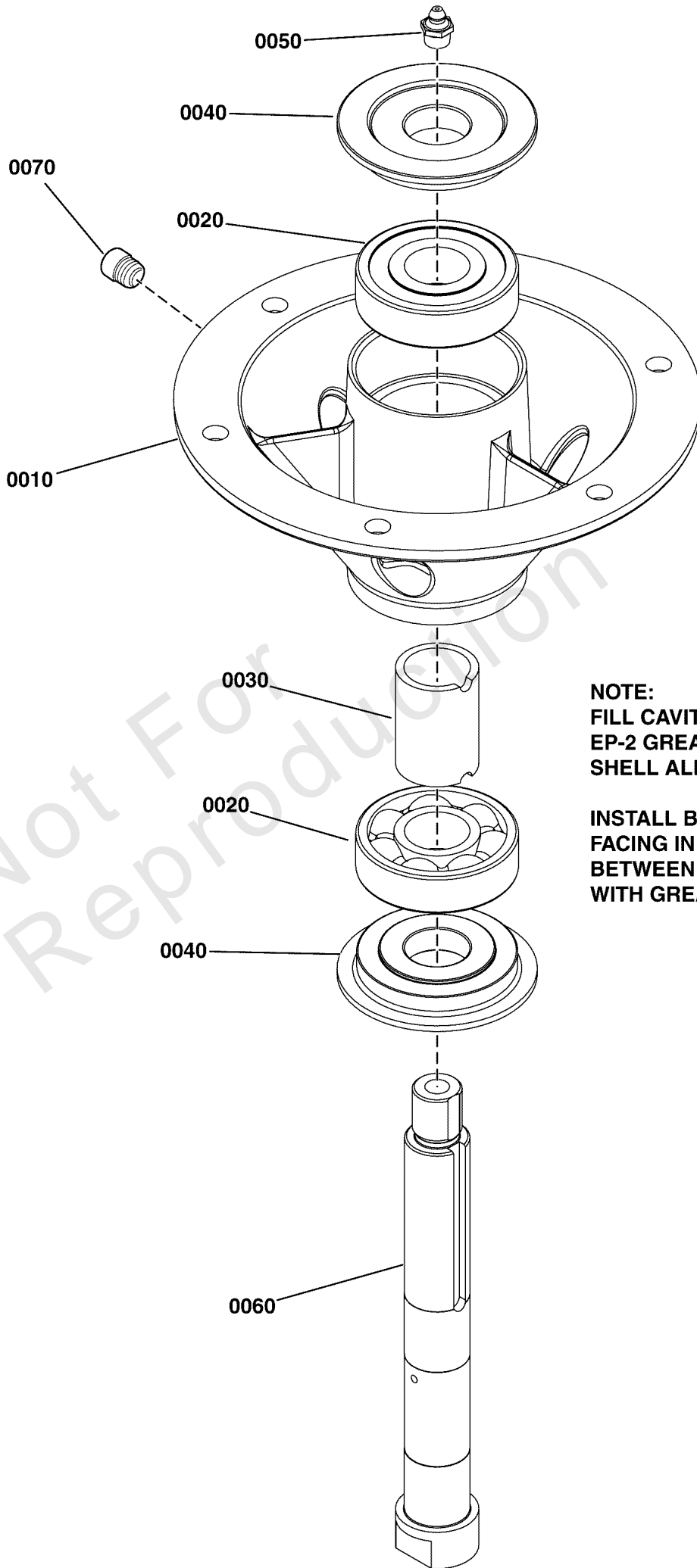
Note: * If replacing this rod, also order item #0580 and re-assemble to diagram.

Spindle Service Parts - 5104744

Note: Unless noted otherwise, use the standard torque specifications

Mfg. No: 5902170

5104744



NOTE:
FILL CAVITY WITH NLGI, GRADE 2,
EP-2 GREASE (SUPERPLEX EP-2,
SHELL ALBIDA LCW, BP ENERGREASE LC)

**INSTALL BEARINGS WITH OPEN SIDE
FACING IN TOWARDS SPACER. FILL AREA
BETWEEN BEARING AND TRASH SHIELD
WITH GREASE DURING ASSEMBLY.**

Spindle Service Parts - 5104744

| REF NO | PART NO | QTY | DESCRIPTION |
|--------|---------|-----|--|
| 0010 | ----- | 1 | NLA - SPINDLE HOUSING -(Refer to Note: *) |
| 0020 | 5023330 | 2 | BEARING, .98 X 2.44 X .67 |
| 0030 | 5061099 | 1 | SPACER, 1.00 X 1.25 X 1.75 |
| 0040 | 5049793 | 2 | TRASH SHIELD |
| 0050 | 5023329 | 1 | FITTING, 1/8 NPT STR, SHORT |
| 0060 | 5061100 | 1 | SHAFT, SPINDLE |
| 0070 | 5023296 | 1 | FITTING, RELIEF, 1-5 PSI |

Not For
Reproduction

Footnotes:

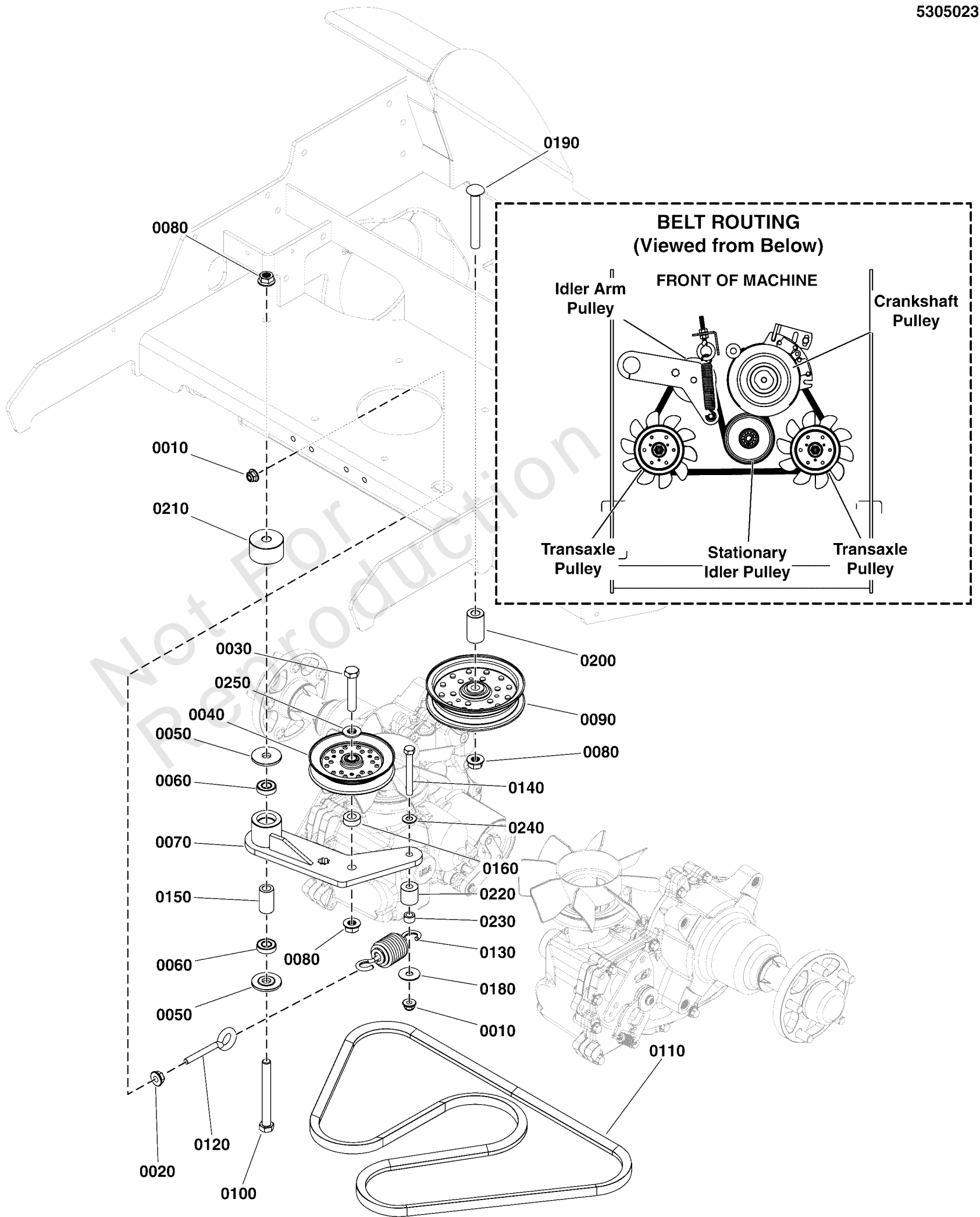
Note: *This is no longer available. If the spindle housing needs to be replaced order a complete new spindle assembly.

Transaxle Drive Group

Note: Unless noted otherwise, use the standard torque specifications

Mfg. No: 5902170

5305023



Transaxle Drive Group

| REF NO | PART NO | QTY | DESCRIPTION |
|--------|------------|-----|--|
| 0010 | 5025394 | 2 | NUT, 3/8 - 16 HEX NYLOCK FLANGE |
| 0020 | 5025128 | 1 | NUT, 3/8-16 Hex Large Serrated Flange |
| 0030 | 5025017X20 | 1 | BOLT, 1/2-13 X 2-1/2" GD5 CZ |
| 0040 | 5105542 | 1 | PULLEY, IDLER-V, 5.00OD X .510ID, CZ |
| 0050 | 5103262 | 2 | SPACER, IDLER ARM, 1/2, PM |
| 0060 | 7078243 | 2 | BEARING, BALL, AXLE |
| 0070 | 5414039AA | 1 | WELD, TENSION ARM, PUMP DRIVE - BLK |
| 0080 | 5025396 | 3 | NUT, Hex Flange, Nylock, 1/2-13 |
| 0090 | 5101794 | 1 | PULLEY, IDLER, 5" OD, 1" FACE, 5.75 FLANGE |
| 0100 | 5025017X36 | 1 | BOLT, 1/2-13 X 4-1/2" GD5 YZ |
| 0110 | 5105316 | 1 | BELT, B-SEC, 80.79, RAW EDGE, OPTI |
| 0120 | 5025429 | 1 | EYEBOLT, 3/8-16 X 4, 2.13THRD, .75EYE, C |
| 0130 | 5104676 | 1 | SPRING EXT, 1.50ODX4.75LGX.177WR, BLK |
| 0140 | 5025013X20 | 1 | BOLT, 3/8-16 X 2-1/2" GD5 CZ |
| 0150 | 5103812 | 1 | SPACER, .52 X .84 X 1.53, PM |
| 0160 | 5044609 | 1 | SPACER, .52 X 1.00 X .38, CZ |
| 0180 | 5025165 | 1 | WASHER, 3/8" Fender |
| 0190 | 5025324X32 | 1 | BOLT, 1/2-13 X 4", CARRIAGE |
| 0200 | 5101413 | 1 | SPACER, .52 X 1.00 X 1.83, CZ |
| 0210 | 5105466 | 1 | SPACER, .52 X 2.00 X 1.13, CZ |
| 0220 | 5100896 | 1 | SPACER, .390 X 1.00 X 1.00 - YZ |
| 0230 | 5105297 | 1 | SPACER, .39 X .63 X .375M DOM CZ |
| 0240 | 5025156 | 1 | WASHER, 3/8 SAE |
| 0250 | 5025158 | 1 | WASHER, 1/2 SAE |

Transaxle Service Parts Group - 5105286 / 5105285

Note: Unless noted otherwise, use the standard torque specifications

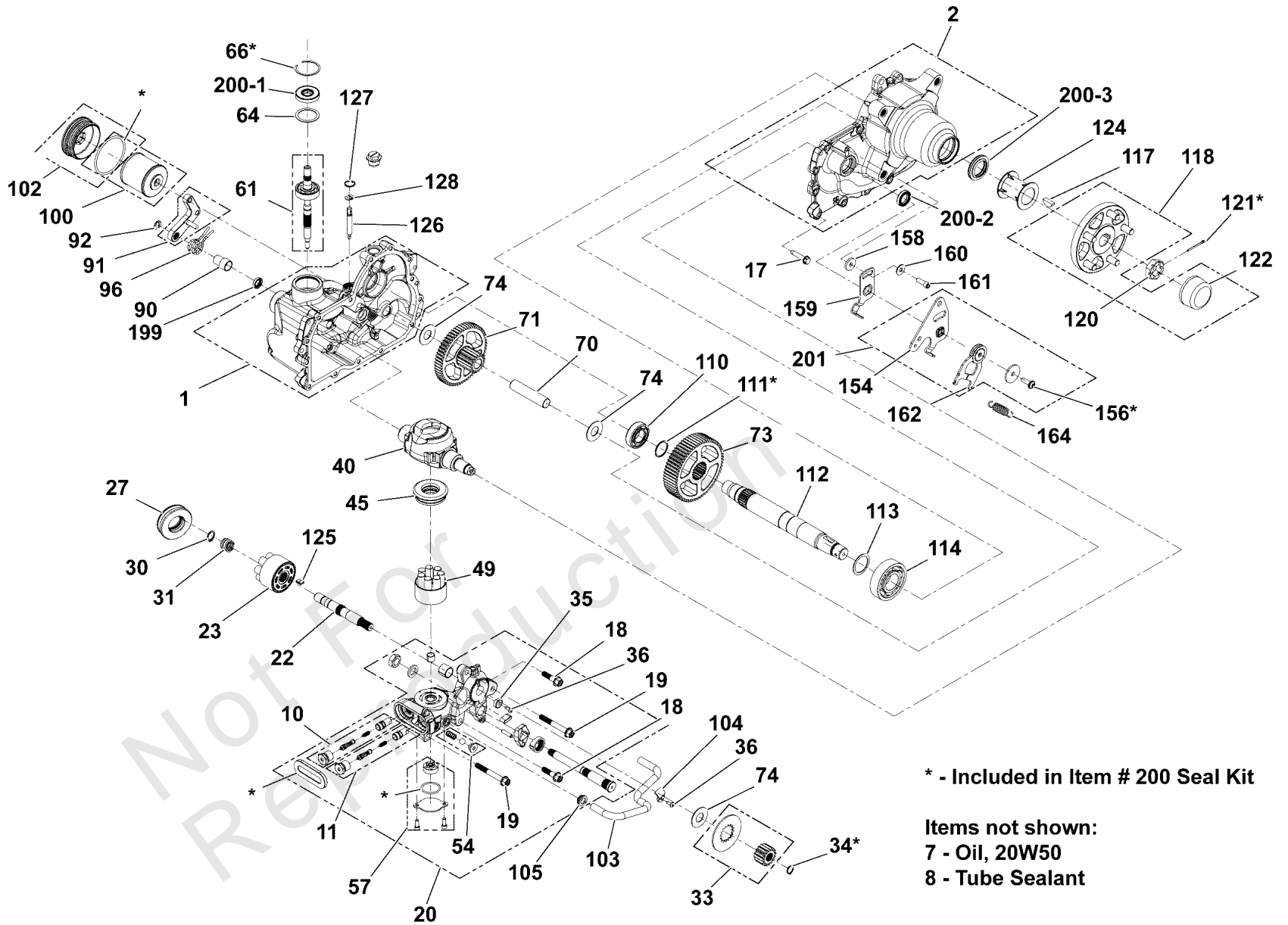
Mfg. No: 5902170

HYDRO-GEAR MODEL 1710-1065L (P/N: 5105286)

HYDRO-GEAR MODEL 1710-1076L (P/N: 5107881)

HYDRO-GEAR MODEL 1710-1065R (P/N: 5105285)

HYDRO-GEAR MODEL 1710-1076R (P/N: 5107880)



Transaxle Service Parts Group - 5105286 / 5105285

| REF NO | PART NO | QTY | DESCRIPTION |
|--------|-----------|-----|---|
| 1 | ----- | 1 | KIT, MAIN HOUSING -(Refer to Note: *) |
| 2 | ----- | 1 | KIT, SIDE HOUSING -(Refer to Note: *) |
| 7 | ----- | 1 | OIL -(Refer to Note: *) |
| 8 | 5022905X1 | 1 | SEALANT |
| 10 | ----- | 1 | KIT, SHOCK VALVE -(Refer to Note: *) |
| 11 | ----- | 1 | KIT, SHOCK VALVE -(Refer to Note: *) |
| 17 | ----- | 14 | SCREW, HOUSING -(Refer to Note: *) |
| 18 | ----- | 2 | SCREW, HEX FLANGE 3/8-16 X 1.5 -(Refer to Note: *) |
| 19 | ----- | 2 | SCREW, HEX FLANGE 3/8-16 X 3.0 -(Refer to Note: *) |
| 20 | ----- | 2 | KIT, CENTER SECTION -(Refer to Note: *) |
| 22 | ----- | 1 | SHAFT, MOTOR -(Refer to Note: *) |
| 23 | ----- | 1 | KIT, CYLINDER BLOCK (16cc) -(Refer to Note: *) |
| 27 | ----- | 1 | BEARING, THRUST, MOTOR -(Refer to Note: *) |
| 30 | ----- | 1 | RING, RETAINING -(Refer to Note: *) |
| 31 | 1715302 | 1 | SPRING-CYLINDER BLOCK 2000025 |
| 33 | ----- | 1 | KIT, BRAKE ROTOR, GEAR -(Refer to Note: *) |
| 34 | 1706130 | 1 | RING-SNAP (44145) |
| 35 | ----- | 1 | MAGNET -(Refer to Note: *) |
| 36 | ----- | 2 | BOLT, SELF-TAPPING -(Refer to Note: *) |
| 40 | ----- | 1 | SWASHPLATE, MACHINED -(Refer to Note: *) |
| 45 | ----- | 1 | BEARING, THRUST, PUMP -(Refer to Note: *) |
| 49 | ----- | 1 | KIT, CYLINDER BLOCK (12cc) -(Refer to Note: *) |
| 54 | ----- | 1 | KIT, CHARGE RELIEF -(Refer to Note: *) |
| 57 | ----- | 1 | KIT, CHARGE PUMP -(Refer to Note: *) |
| 61 | 5104385X3 | 1 | KIT, INPUT SHAFT (BEARING & SHAFT ONLY) (SV) |
| 64 | ----- | 1 | SPACER, INPUT -(Refer to Note: *) |
| 66 | ----- | 1 | RING, RET, INTERNAL, INPUT -(Refer to Note: *) |
| 70 | ----- | 1 | JACKSHAFT -(Refer to Note: *) |
| 71 | ----- | 1 | KIT, GEARS -(Refer to Note: *) |
| 73 | ----- | 1 | GEAR, 62T -(Refer to Note: *) |

Footnotes:

Note: * See your authorized Hydro-Gear dealer for replacement parts.

Transaxle Service Parts Group - 5105286 / 5105285

Note: Unless noted otherwise, use the standard torque specifications

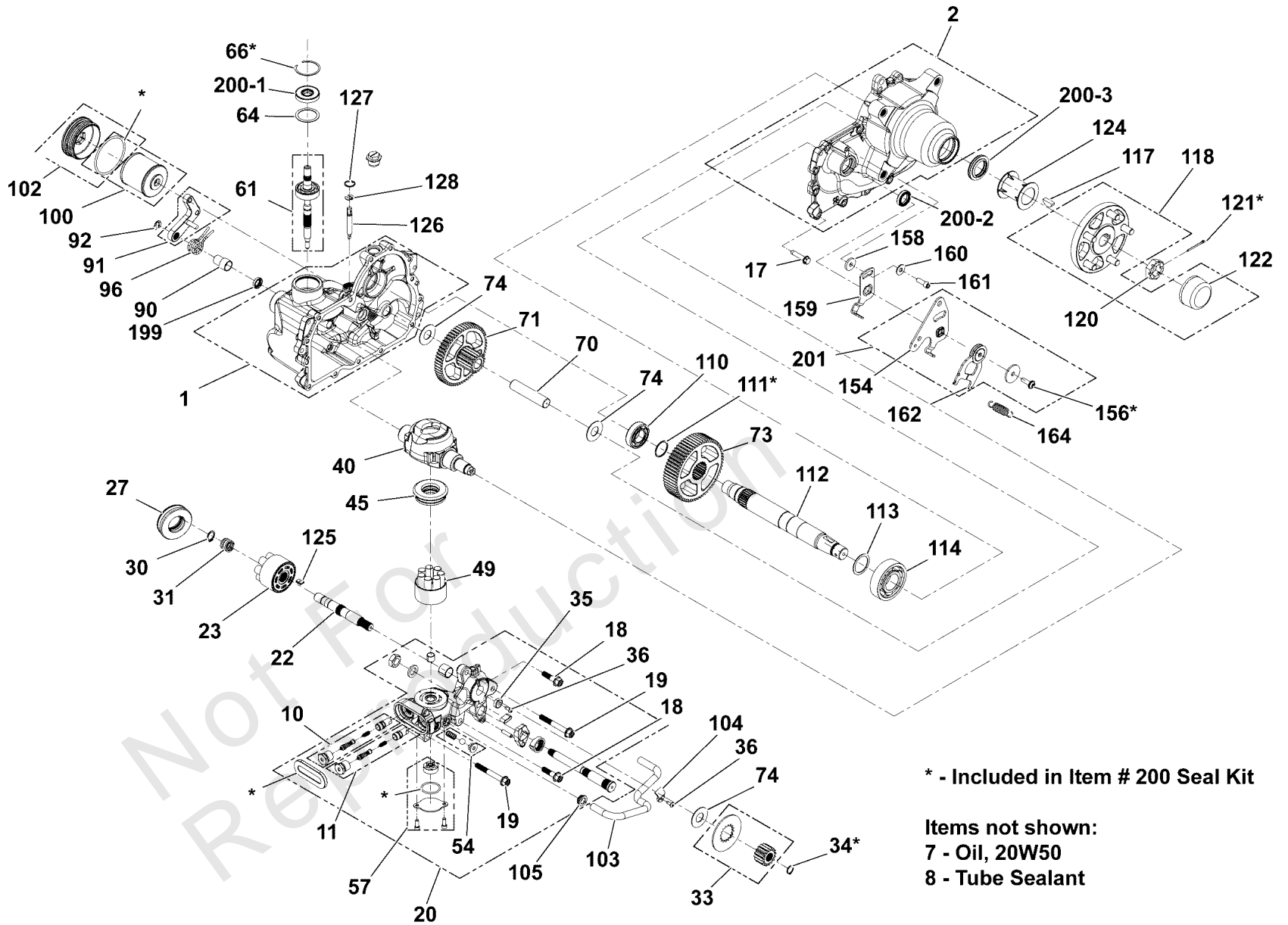
Mfg. No: 5902170

HYDRO-GEAR MODEL 1710-1065L (P/N: 5105286)

HYDRO-GEAR MODEL 1710-1076L (P/N: 5107881)

HYDRO-GEAR MODEL 1710-1065R (P/N: 5105285)

HYDRO-GEAR MODEL 1710-1076R (P/N: 5107880)



* - Included in Item # 200 Seal Kit

Items not shown:
 7 - Oil, 20W50
 8 - Tube Sealant

Transaxle Service Parts Group - 5105286 / 5105285

| REF NO | PART NO | QTY | DESCRIPTION |
|--------|-----------|-----|--|
| 74 | ----- | 3 | WASHER, JACKSHAFT -(Refer to Note: *) |
| 90 | ----- | 1 | SPACER, SPRING -(Refer to Note: *) |
| 91 | ----- | 1 | KIT, BRAKE, LH -(Refer to Note: *) |
| 92 | 5104652 | 1 | RETAINING RING, BRAKE ARM, ZT4400 (SV) |
| 96 | ----- | 1 | SPRING, BRAKE RETURN -(Refer to Note: *) |
| 100 | 5104385X1 | 1 | KIT, FILTER (SV) |
| 102 | ----- | 1 | KIT, FILTER PLUG -(Refer to Note: *) |
| 103 | ----- | 1 | TUBE, FILTER, LH -(Refer to Note: *) |
| 104 | ----- | 1 | CLAMP, TUBE, FILTER -(Refer to Note: *) |
| 105 | ----- | 1 | GROMMET -(Refer to Note: *) |
| 110 | ----- | 1 | BEARING, BALL, AXLE INBOARD -(Refer to Note: *) |
| 111 | ----- | 1 | RING, RETAINING, .125, EXTERNAL, SPRING -(Refer to Note: *) |
| 112 | ----- | 1 | SHAFT, AXLE -(Refer to Note: *) |
| 113 | ----- | 1 | WASHER, AXLE, SHAFT BEARING -(Refer to Note: *) |
| 114 | ----- | 1 | BEARING, BALL, OUTBOARD -(Refer to Note: *) |
| 117 | ----- | 1 | KEY, SHAFT, AXLE -(Refer to Note: *) |
| 118 | 5104385X7 | 1 | KIT, HUB 5 BOLT (SV) |
| 120 | ----- | 1 | NUT, HEX 1-20 SLOTTED -(Refer to Note: *) |
| 121 | ----- | 1 | PIN, COTTER, 9/64 X 2 EXTENDED PRONG -(Refer to Note: *) |
| 122 | 5101987X5 | 1 | AXLE CAP, ZT5400 |
| 124 | ----- | 1 | TUBE, AXLE 1.40 X2.22 -(Refer to Note: *) |
| 125 | ----- | 1 | PLATE, BYPASS -(Refer to Note: *) |
| 126 | ----- | 1 | BYPASS ROD -(Refer to Note: *) |
| 127 | ----- | 1 | BYPASS RETAINING RING 2 -(Refer to Note: *) |
| 128 | ----- | 1 | BYPASS RETAINING RING 1 -(Refer to Note: *) |
| 154 | ----- | 1 | ARM, CONTROL, LH -(Refer to Note: *) |
| 156 | ----- | 1 | TWHCS, 5/16-24 X 1.00 (PATCH) -(Refer to Note: *) |
| 158 | ----- | 1 | SPACER, .320X1.005X.179 -(Refer to Note: *) |
| 159 | ----- | 1 | ARM, NEUTRAL, LH -(Refer to Note: *) |
| 160 | ----- | 1 | WASHER, .34X.88X.06 -(Refer to Note: *) |

Footnotes:

Note: * See your authorized Hydro-Gear dealer for replacement parts.

Transaxle Service Parts Group - 5105286 / 5105285

Note: Unless noted otherwise, use the standard torque specifications

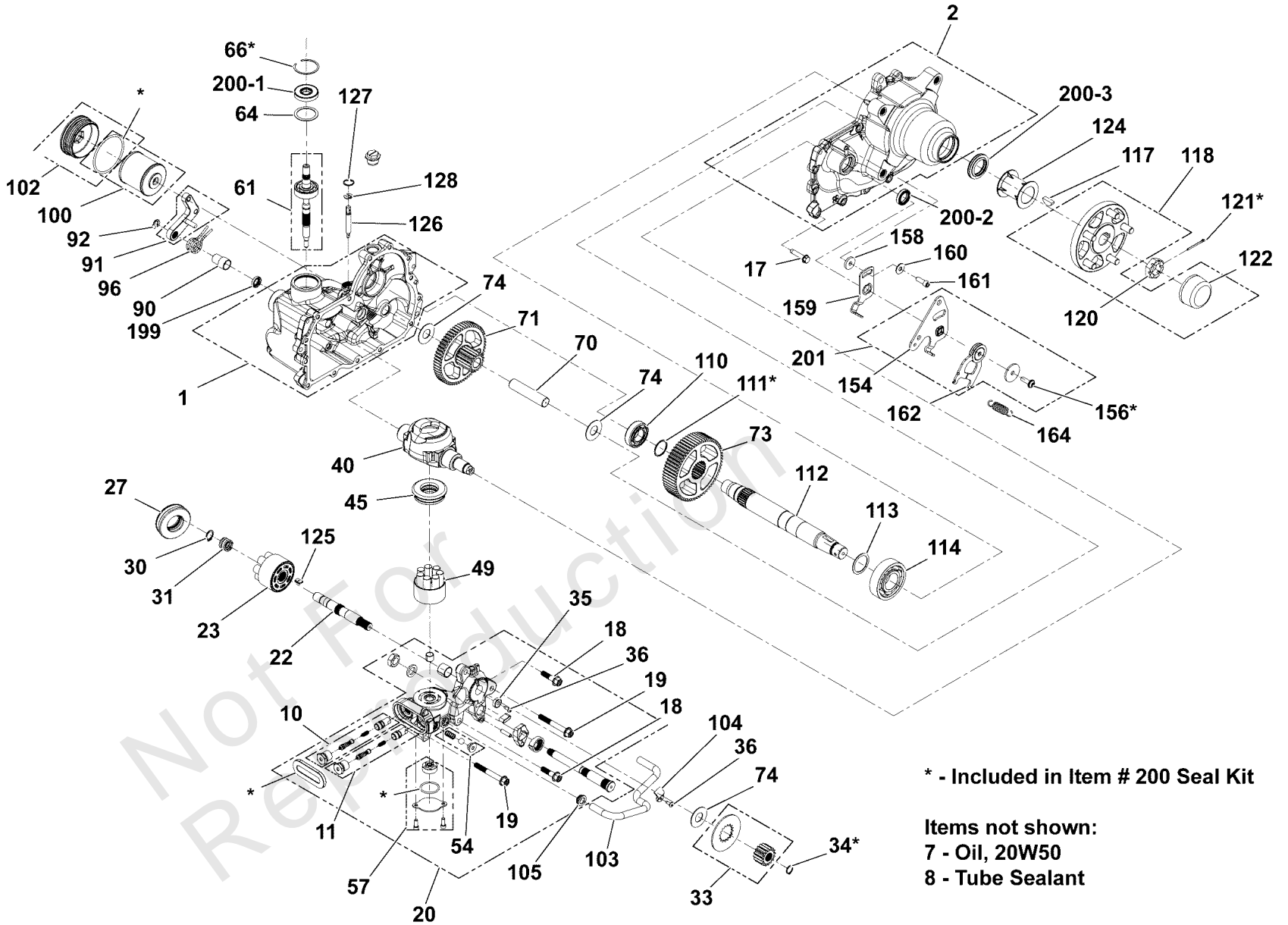
Mfg. No: 5902170

HYDRO-GEAR MODEL 1710-1065L (P/N: 5105286)

HYDRO-GEAR MODEL 1710-1076L (P/N: 5107881)

HYDRO-GEAR MODEL 1710-1065R (P/N: 5105285)

HYDRO-GEAR MODEL 1710-1076R (P/N: 5107880)



* - Included in Item # 200 Seal Kit

Items not shown:
 7 - Oil, 20W50
 8 - Tube Sealant

Transaxle Service Parts Group - 5105286 / 5105285

| REF NO | PART NO | QTY | DESCRIPTION |
|--------|-----------|-----|--|
| 161 | ----- | 1 | SHCS, 5/16-24 X .875 (PATCH) |
| 162 | ----- | 1 | ASSEMBLY, RTN |
| 164 | 5105285X1 | 1 | SPRING, EXTENSION RTN-44LBS, H/G 51605 |
| 199 | 5109995 | 1 | BRAKE SHAFT SEAL, 55523, ZT4400 & ZT5400 -(55523) |
| 200 | 5104385X2 | 1 | KIT, SEAL (SV) |
| 200-1 | 5104385X4 | 1 | KIT, INPUT SEAL (SV) |
| 200-2 | 5104385X6 | 1 | KIT, CONTROL ARM SEAL, HG# 55526 |
| 200-3 | 5104385X5 | 1 | KIT, AXLE SEAL (SV) |
| 201 | 1735490 | 1 | KIT, L.H. Control Arm |

Not For
Reproduction

Footnotes:

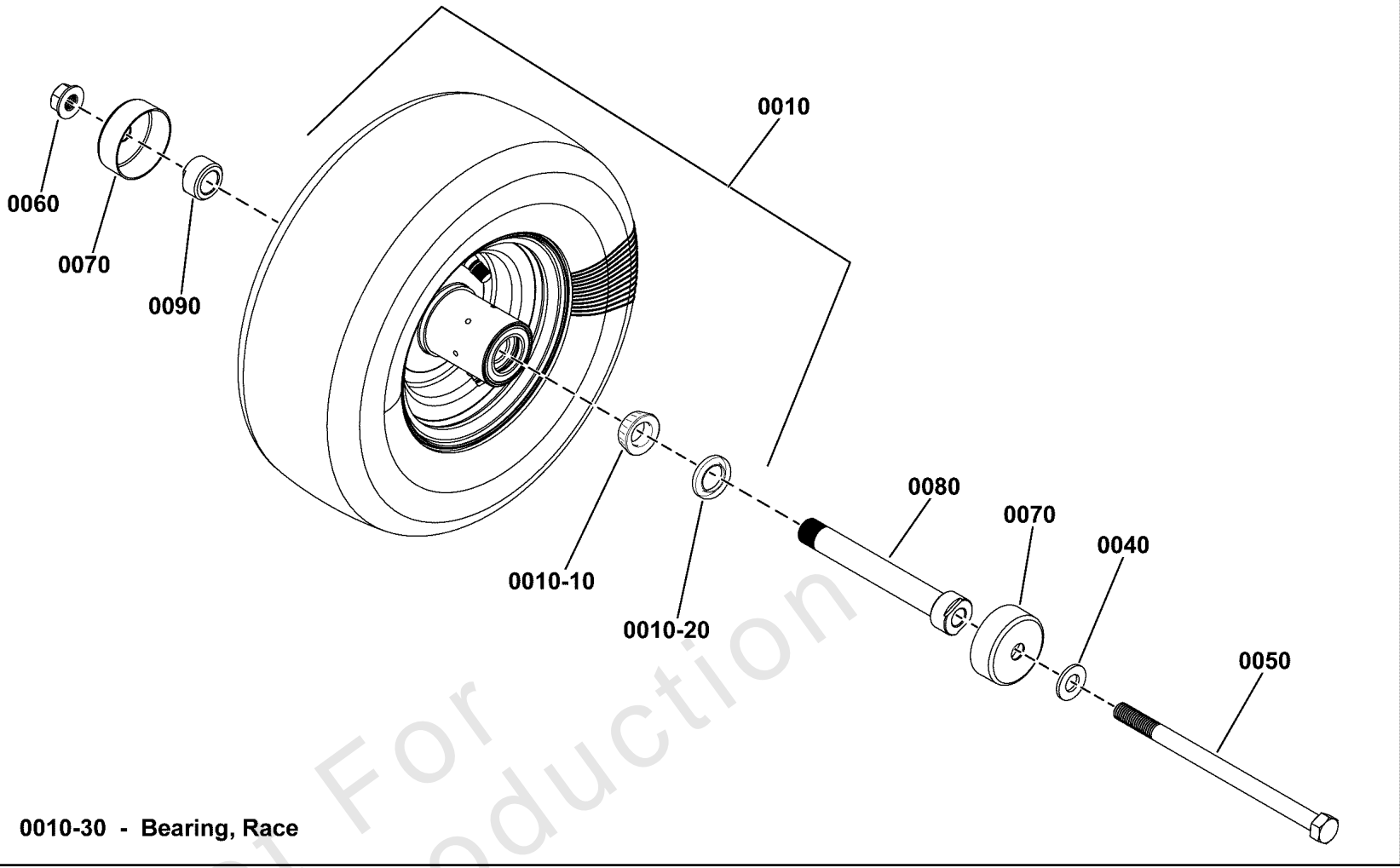
Note: * See your authorized Hydro-Gear dealer for replacement parts.

Wheel and Tire Group

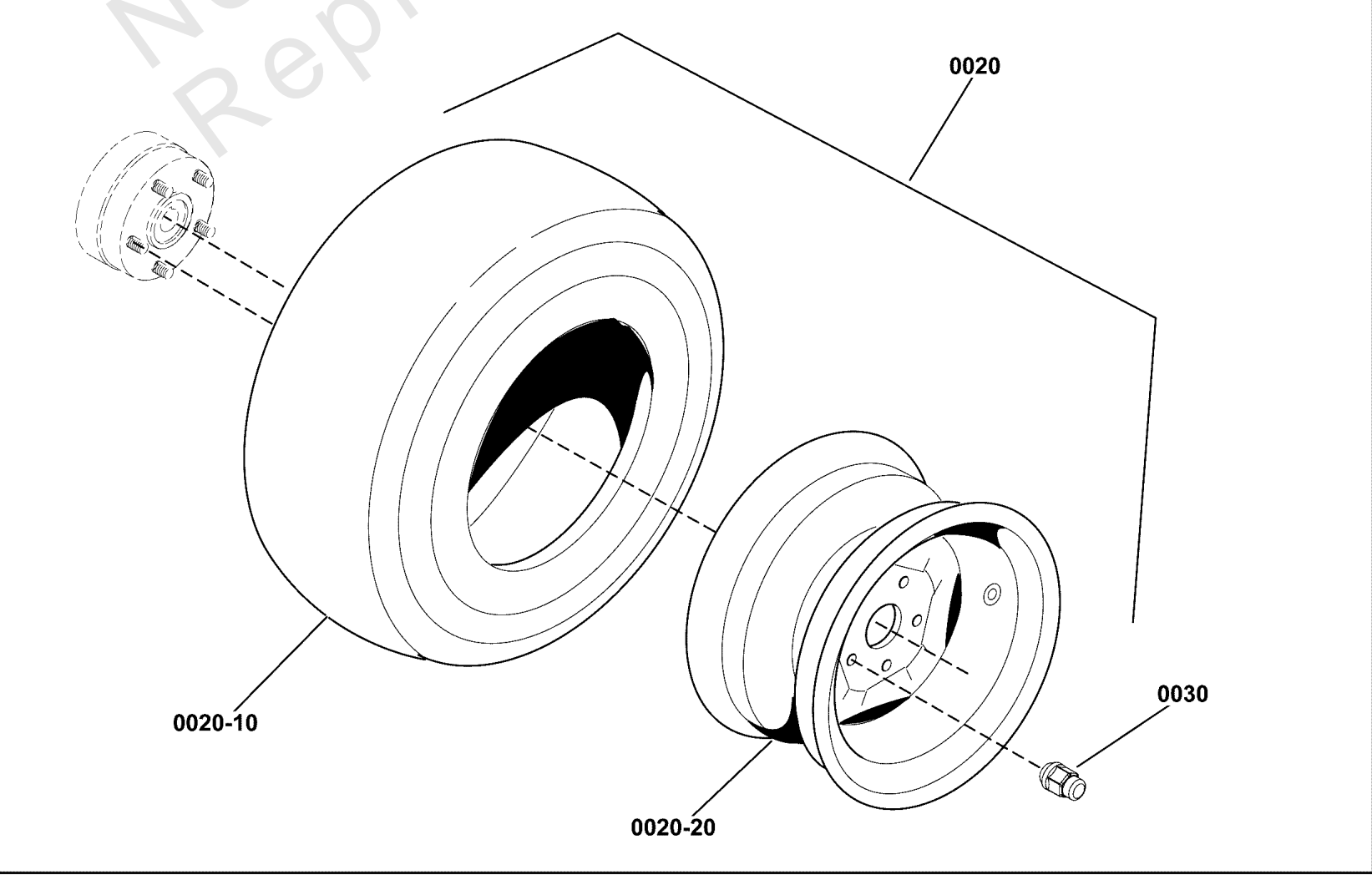
Note: Unless noted otherwise, use the standard torque specifications

Mfg. No: 5902170

Front Wheels & Tires



Rear Wheels & Tires



Wheel and Tire Group

| REF NO | PART NO | QTY | DESCRIPTION |
|---------|-------------|-----|---|
| 0010 | 5108751 | 2 | TIRE ASM 13 X 6.5-6, FF/TB, BLACK |
| 0010-10 | 5022631SX2 | 2 | BEARING, Tapered Roller -(SV - 2 per tire) |
| 0010-20 | 5022631SX3 | 2 | SEAL, GREASE -(SV - 2 per tire) |
| 0010-30 | 5022631SX4 | 2 | BEARING, RACE -(SV - 2 per tire) |
| 0020 | 5109043FS | 2 | TIRE ASSEMBLY -5109043FS |
| 0020-10 | 5023240X1YP | 2 | TIRE 24 X 12 X 12 -(SV - 1 per tire) |
| 0020-20 | ----- | 2 | WHEEL RIM -(SV - 1 per tire) |
| 0030 | ----- | 10 | LUG NUT, Black -(Originally Black Lug nut - Replacement 5020601SM is silver in color). |
| 0030 | 5020601SM | 10 | NUT, 1/2-20, FOR WHEEL BOLT SILVER -(Replacement 5020601SM is silver in color). |
| 0040 | 5025158 | 2 | WASHER, 1/2 SAE |
| 0050 | 5025017X72 | 2 | BOLT, 1/2-13 X 9" GD5 YZ |
| 0060 | 5025396 | 2 | NUT, Hex Flange, Nylock, 1/2-13 |
| 0070 | 5108803 | 4 | DUST CAP, CASTER TIRE, BLACK |
| 0080 | 5103649 | 2 | BEARING ADJUSTER, SPACER, 7.062 LG |
| 0090 | 5103650 | 2 | NUT, BEARING ADJUSTER, AXLE |

Hardware Identification & Torque Specifications

| Torque Specification Chart | | | | | | | | |
|--|-----------|------|-----------|------|------------|------|------------|------|
| FOR STANDARD METRIC MACHINE HARDWARE (Tolerance ± 20%) | | | | | | | | |
| Property Class | 5.6 | | 8.8 | | 10.9 | | 12.9 | |
| | Class 5.6 | | Class 8.8 | | Class 10.9 | | Class 12.9 | |
| Size Of Hardware | in/lbs | Nm. | in/lbs | Nm. | in/lbs | Nm. | in/lbs | Nm. |
| | ft/lbs | | ft/lbs | | ft/lbs | | ft/lbs | |
| M3 | 5.88 | .56 | 13.44 | 1.28 | 19.2 | 1.80 | 22.92 | 2.15 |
| M4 | 13.44 | 1.28 | 30.72 | 2.90 | 43.44 | 4.10 | 52.56 | 4.95 |
| M5 | 26.4 | 2.50 | 60.96 | 5.75 | 5.97 | 8.10 | 7.15 | 9.7 |
| M6 | 44.64 | 4.3 | 7.3 | 9.9 | 10.3 | 14 | 12.1 | 16.5 |
| M7 | 5.2 | 7.1 | 12.1 | 16.5 | 16.9 | 23 | 19.9 | 27 |
| M8 | 7.7 | 10.5 | 17.7 | 24 | 25 | 34 | 29 | 40 |
| M10 | 15 | 21 | 35 | 48 | 50 | 67 | 59 | 81 |
| M12 | 26 | 36 | 61 | 83 | 86.2 | 117 | 103 | 140 |
| M14 | 42 | 58 | 101 | 132 | 136 | 185 | 162 | 220 |
| M16 | 64 | 88 | 147 | 200 | 210 | 285 | 250 | 340 |
| M18 | 89 | 121 | 202 | 275 | 287 | 390 | 346 | 470 |
| M20 | 126 | 171 | 290 | 390 | 405 | 550 | 486 | 660 |
| M22 | 169 | 230 | 390 | 530 | 559 | 745 | 656 | 890 |
| M24 | 217 | 295 | 497 | 375 | 708 | 960 | 840 | 1140 |
| M27 | 320 | 435 | 733 | 995 | 1032 | 1400 | 1239 | 1680 |
| M30 | 435 | 590 | 995 | 1350 | 1401 | 1900 | 1681 | 2280 |
| M33 | 590 | 800 | 1349 | 1830 | 1902 | 2580 | 2278 | 3090 |
| M36 | 759 | 1030 | 1740 | 2360 | 2441 | 3310 | 2935 | 3980 |
| M39 | 988 | 1340 | 2249 | 3050 | 3163 | 4290 | 3798 | 5150 |

| Torque Specification Chart | | | | | | |
|---|-------------|-------|-------------|-------|-------------|---------|
| FOR STANDARD MACHINE HARDWARE (Tolerance ± 20%) | | | | | | |
| Hardware Grade | No Marks | | SAE Grade 5 | | SAE Grade 8 | |
| | SAE Grade 2 | | SAE Grade 5 | | SAE Grade 8 | |
| Size Of Hardware | in/lbs | Nm. | in/lbs | Nm. | in/lbs | Nm. |
| | ft/lbs | | ft/lbs | | ft/lbs | |
| 8-32 | 19 | 2.1 | 30 | 3.4 | 41 | 4.6 |
| 8-36 | 20 | 2.3 | 31 | 3.5 | 43 | 4.9 |
| 10-24 | 27 | 3.1 | 43 | 4.9 | 60 | 6.8 |
| 10-32 | 31 | 3.5 | 49 | 5.5 | 68 | 7.7 |
| 1/4-20 | 66 | 7.6 | 8 | 10.9 | 12 | 16.3 |
| 1/4-28 | 76 | 8.6 | 10 | 13.6 | 14 | 19.0 |
| 5/16-18 | 11 | 15.0 | 17 | 23.1 | 25 | 34.0 |
| 5/16-24 | 12 | 16.3 | 19 | 25.8 | 29 | 34.0 |
| 3/8-16 | 20 | 27.2 | 30 | 40.8 | 45 | 61.2 |
| 3/8-24 | 23 | 31.3 | 35 | 47.6 | 50 | 68.0 |
| 7/16-14 | 30 | 40.8 | 50 | 68.0 | 70 | 95.2 |
| 7/16-20 | 35 | 47.6 | 55 | 74.8 | 80 | 108.8 |
| 1/2-13 | 50 | 68.0 | 75 | 102.0 | 110 | 149.6 |
| 1/2-20 | 55 | 74.8 | 90 | 122.4 | 120 | 163.2 |
| 9/16-12 | 65 | 88.4 | 110 | 149.6 | 150 | 204.0 |
| 9/16-18 | 75 | 102.0 | 120 | 163.2 | 170 | 231.2 |
| 5/8-11 | 90 | 122.4 | 150 | 204.0 | 220 | 299.2 |
| 5/8-18 | 100 | 136 | 180 | 244.8 | 240 | 326.4 |
| 3/4-10 | 160 | 217.6 | 260 | 353.6 | 386 | 525.0 |
| 3/4-16 | 180 | 244.8 | 300 | 408.0 | 420 | 571.2 |
| 7/8-9 | 140 | 190.4 | 400 | 544.0 | 600 | 816.0 |
| 7/8-14 | 155 | 210.8 | 440 | 598.4 | 660 | 897.6 |
| 1-8 | 220 | 299.2 | 580 | 788.8 | 900 | 1,244.0 |
| 1-12 | 240 | 326.4 | 640 | 870.4 | 1,000 | 1,360.0 |

The guides and ruler furnished below are designed to help you select the appropriate hardware.



Nut, M8

Thread Diameter (mm)

Inside Diameter (in) Threads per inch

Nut, 1/2-16



Screw, M8- 1.25 x 25

Thread Diameter (mm) Distance between threads (mm) Body Length (mm)

Body Diameter Threads per inch Body Length (in)

Screw, 1/2- 16 x 2



Standard Hardware Sizing

When a washer or nut is identified as 1/2" (M8), this is the *Nominal size*, meaning the *inside diameter* is 1/2 inch (8mm metric thread diameter); if a second number is present it represents the *threads per inch* (distance between threads).

When bolt or capscrew is identified as 1/2 - 16 x 2" (M8 - 1.25 x 50), this means the *Nominal size*, or body diameter is 1/2 inch (8mm metric thread diameter), the second number, 16, represents the *threads per inch*, (*distance between threads*). The final number is the body length of the bolt or screw, 2 inches (50mm).

NOTES

- These torque values are to be used for all hardware excluding: locknuts, self-tapping screws, thread forming screws, sheet metal screws and socket head setscrews.
- Recommended seating torque values for locknuts:
 - for prevailing torque locknuts - use 65% of grade 5 torques.
 - for flange whizlock nuts and screws - use 135% of grade 5 torques.
- Unless otherwise noted on assembly drawings, all torque values must meet this specification.

Common Hardware Types

Hex Head Capscrew



Washer



Carriage Bolt



Hex Nut

Wrench & Fastener Size Guide

| | | | | |
|----------------------------------|----------------------------------|----------------------------------|--|---------------------------------|
| | | | | |
| 1/4" Bolt or Nut Wrench—7/16" | 5/16" Bolt or Nut Wrench—1/2" | 3/8" Bolt or Nut Wrench—9/16" | 7/16" Bolt or Nut Wrench (Bolt)—5/8" Wrench (Nut)—11/16" | 1/2" Bolt or Nut Wrench—3/4" |
| M6 Bolt or Nut Wrench—10mm | M8 Bolt or Nut Wrench—13mm | M10 Bolt or Nut Wrench—17mm | M12 Bolt or Nut Wrench—19mm | M14 Bolt or Nut Wrench—22mm |

